

SEIKI™

7KG CLOTHES DRYER



INSTRUCTION MANUAL

MODEL: SC-70AU6DR

Please read this manual carefully before using, and keep it for future reference.

CONTENTS

| | |
|----------------------------|----|
| General Safety | 4 |
| Product Overview | 8 |
| Getting Started | 10 |
| Wall Mounting Instructions | 11 |
| Instructions | 15 |
| Operation | 16 |
| Other Useful Information | 17 |
| FAQS | 18 |
| Specifications | 19 |
| Customer Helpline | 20 |

GENERAL SAFETY INSTRUCTIONS

IMPORTANT INFORMATION

Read this manual thoroughly before you start using the Clothes Dryers.

The safety precautions instructions reduces the risk of fire, electric shock and injury when correctly complied to.

Please follow all instructions and take notice of all warnings.

Pay close attention to messages that follow this safety alert symbol or the words **DANGER**, **WARNING** or **CAUTION**. These words will be used to alert you of potential hazards that and injure you and others. Following these instruction will tell you how to reduce the chance of injury and the possible dangers if instructions aren't followed.

ELECTRICAL SAFETY

- **Voltage:** Plug the appliance to a 220-240V, 50Hz, properly earthed power outlet, it must be in good working order.
- **Power connection:** Do not use an adaptor or an extension cord.
Plug the power plug directly into a separate power point that cannot be accidentally turned off, and that is easily accessible so you can switch it off if needed.
- **Power cord:** Do not kink or damage the power supply cord. Make sure it is behind the appliance so no one can step on or place anything on the power supply cord or against it. A damaged power plug may overheat and cause a fire.
- **Damaged cord:** Do not use a cord that shows cracks or damage. Any damage to the cord may cause a short circuit, fire and/or electric shock.
Contact our support centre on 1300 296 699 for advice
- **Disconnection:** Never pull the power cord to unplug appliance. Grip the plug and pull straight out from the power point. After turning the device off, wait at least 2 minutes before turning the appliance back on again.
- **Electrical work:** If the installation of this appliance requires any electrical work, make sure it is carried out by an electrician.

WARNING

Make sure your home is fitted with a residual current device (Safety Switch).

GENERAL SAFETY INSTRUCTIONS (Cont.)

To reduce risk of fire, electric shock or injury, always follow these basic precautions and accident prevention measures when using this appliance, including the below:

INSTALLATION

- The product is heavy, be careful when moving it. To avoid back or other injury, have 2 people lift or mechanical aid when installing.
- When unboxing, thoroughly inspect the appliance carefully for any damage. If there is any damage, do not install the appliance. Contact our support centre on 1300 296 699 for advice.
- While installing the appliance make sure that the power cord is not bent or flattened.
- Install appliance on a flat level and stable ground.
- Do not install appliance in a tight fitted cabinet.
- Do not install appliance near other heat sources such as radiators, heaters or direct sunlight.
- If not wall mounted, be sure that the appliance is not placed on any soft materials such as plastics or foams.

WARNING

Make sure that transport packaging is removed from the rear of the dryer. Do not overload the dryer with too many clothes.

GENERAL SAFETY INSTRUCTIONS (Cont.)

USAGE CONDITIONS AND RESTRICTIONS

- Supervision over children is to ensure that they do not play with the appliance. Never allow them to use, play with or crawl inside the appliance. Cleaning and maintenance must not be done by children.
- This appliance is not to be used by persons (including children) with reduced physical, sensory or mental capabilities, or lack of experience and knowledge, unless they are being supervised or been given instructions on how to use of the appliance in a safe way and understand the hazards with using this appliance incorrectly.
- Do not block any ventilation openings. Ensure that vents are not covered by anything.
- Do not use this product for anything other than its intended purpose, and only use it as described in this manual. Do not attempt to alter or modify this appliance.
- Only load items that are suitable for the clothes dryer.
- Do not place any open source flames on the dryer such as candles, etc..
- The door/window will be hot after a long cycle, be sure not to touch the window and to keep children away from the appliance.
- Never stop the clothes dryer before the cycle finishes, the last stage of the cycle is a drying mode without heat to ensure items are left at a temperature that will not damage them.
- The only part that can be changed is the filter, other than this nothing else in the dryer contains user serviceable parts. Do not open, disassemble or try to repair the appliance yourself. Only have this appliance serviced by a qualified technician.
- Incorrect use can result in property damage, injury or death. We assume no liability for misuse of the appliance or noncompliance with these instructions.
- The final part of a tumble dryer cycle occurs without heat (cool down cycle) to ensure that the items are left at a temperature that ensures that the items will not be damaged.

WARNING

Never try to repair, modify or replace any part of the appliance, unless this manual says you can do so. All other servicing is to be done by a qualified technician, or contact our support centre on 1300 296 699 for advice.

GENERAL SAFETY INSTRUCTIONS (Cont.)

CAUTION

ITEMS BELOW ARE NOT SUITABLE FOR DRYING. IT CAN CAUSE FIRE IN THE APPLIANCE OR EXTENSIVE DAMAGE. DO NOT PLACE FOLLOWING IN THE APPLIANCE

- Items containing rubber or foam like rubber or any other similar textured materials.
- Items that are spotted or soaked with cooking oil or any other flammable items. These other items include kerosene, stain removers, dry-cleaning solvents, alcohol, petrol, turpentine, waxes, hair care products, wax removers.
- Washing the items vigourously beforehand in hot water with extra detergent will reduce, but not completely eliminate the hazard.
- Undergarments that contain metal reinforcements (such as underwire bras). Plastic articles such shower caps and waterproof bibs.
- Rubber-backed articles, clothes with foam rubber pads, pillows, galoshes and rubber coated tennis shoes.
- Fabric softeners or similar products unless recommended by product manufacturer for use in a clothes dryer.
- **WARNING:** Never stop a dryer before the end of the drying cycle unless all items are quickly removed and spread out so that the heat is dissipated.

CAUTION

- Do not use the tumble dryer if industrial chemicals have been used for cleaning.
- Do not dry unwashed items in the dryer.
- Do not allow lint to accumulate around the tumble dryer. Clean the Lint Trap and Filter after every use.
- Enough ventilation has to be provided to avoid the backflow of gases into the room from appliances burning other fuels including open fires.
- Remove all objects from pockets such as lighters and matches.

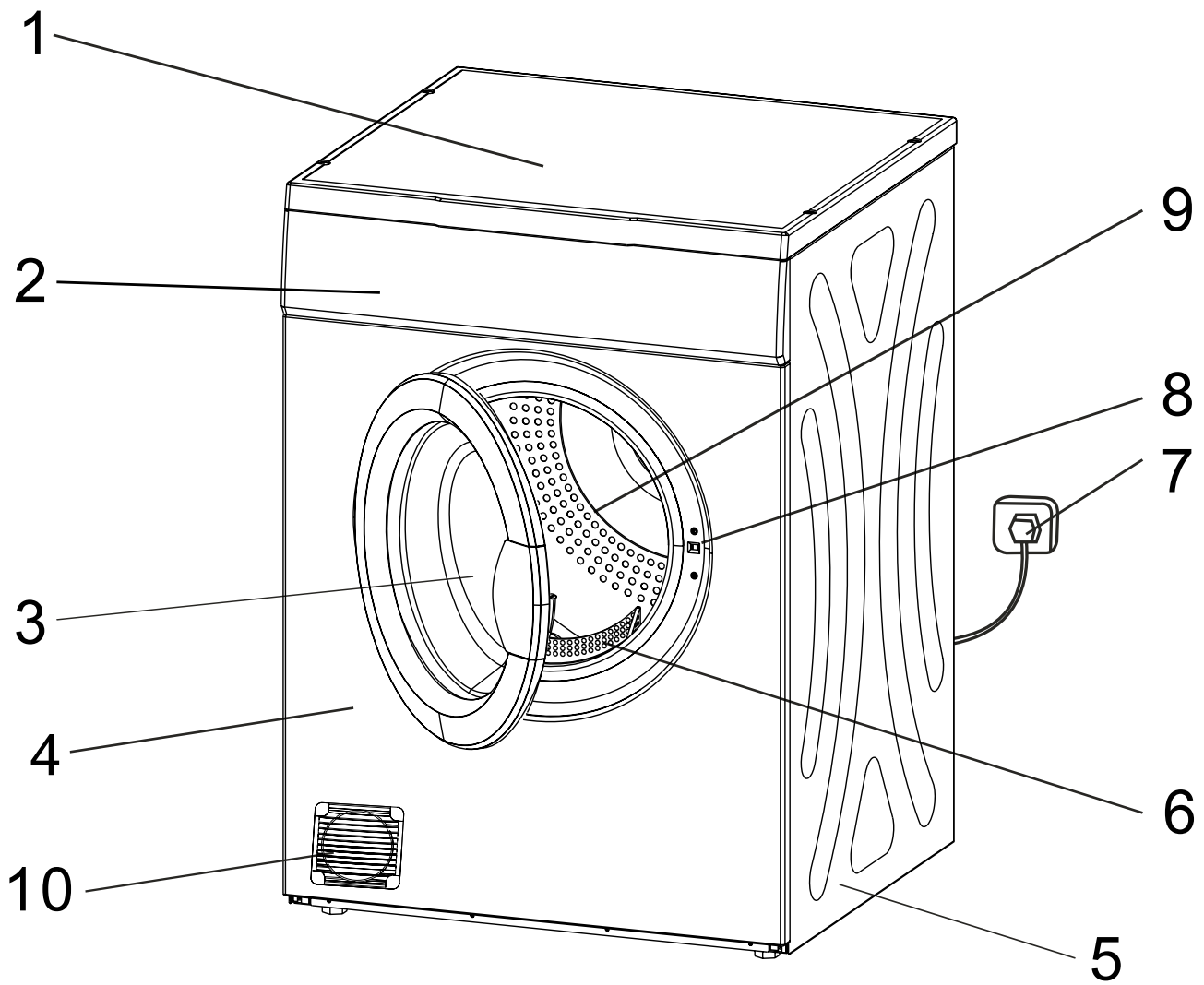
If it is unavoidable that fabrics that contain vegetable or cooking oil or have been contaminated by hair care products be placed in a tumble dryer they should first be washed in hot water with extra detergent - this will reduce, but not eliminate the hazard.



WARNING: Risk of fire

This symbol alerts you to take care as oil-affected items can ignite, especially when exposed to heat, such as in a clothes dryer. The items become warm, causing an oxidation reaction in the oil. Oxidation causes heat. If the heat cannot escape, the items can become hot enough to catch fire. Piling, stacking or storing oil-affected items can prevent heat from escaping and so it will create a fire hazard.

PRODUCT OVERVIEW



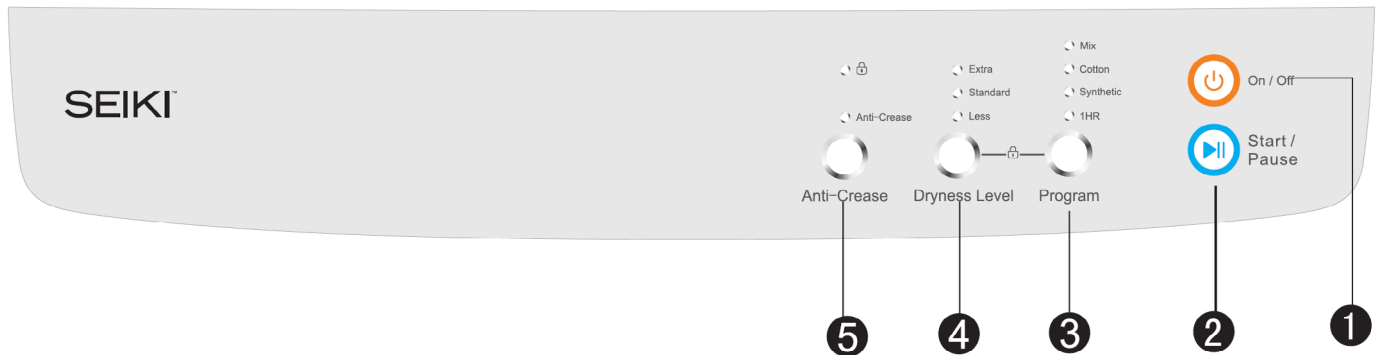
1. Top Board
4. Front Panel
7. Power Plug
10. Front Vent

2. Control Panel
5. Side Panel
8. Switch

3. Door
6. Filter
9. Tumbling Box

PRODUCT OVERVIEW (Cont.)

CONTROL PANEL



1. **On/Off Button:** Turn on/off the power supply.
2. **Start/Pause:** To start the selected dry program or pause while in operation.
3. **Program Button:** Repeatedly press this button to select desired program.
4. **Dryness Level:** Select between Extra, Standard or Less.
5. **Anti-Crease:** Press to turn on Anti-Crease function.

Child Lock Function: Press and hold “Program” and “Dryness Level” for 3 seconds to activate Child Lock.

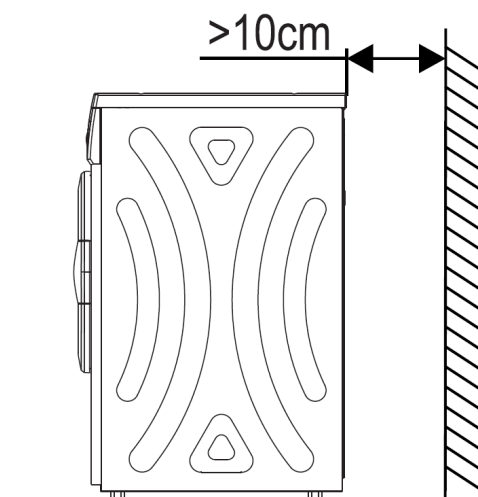
NOTE: Make sure to clean the filter, cabinet and inner tube after every cycle.

GETTING STARTED

Before installing your appliance, read all safety instructions in this manual, especially the sections on electrical safety and installation.

INSTALLATION

- This clothes dryer can be installed on the floor (as supplied), or wall mounted.
- This appliance can not be installed behind a lockable door, sliding or a door with a hinge on the opposite of the clothes dryer. In all ways that full opening of clothes dryer door is strictly not allowed.
- Make sure that all electrical connections are made by qualified technicians and all instructions in this manual are observed.
- Place the dryer in a dry, well ventilated area, away heat and direct sunlight.
- Exhaust air must not be discharged into the flue which is used for exhausting fumes from appliances burning gas or other fuels.
- Make sure to allow 10cm of spacing behind the dryer to the wall.



LEVELLING THE APPLIANCE

- Make sure to position the dryer is on a level and stable ground. If the floor is uneven you can adjust the feet by twisting it as if to screw in the feet to the product, either clockwise or counter-clockwise to adjust the feet up or down until appliance is completely level.

NOTE: The Dryer will not work correctly unless it is positioned perfectly level.

- Do not install the dryer in a place that can easily be reached by rain
- Do not place the back of the dryer near curtains.
- Do not place the dryer near gas or flammable areas.

GETTING STARTED (Cont.)

WALL MOUNTING INSTRUCTIONS

- If wall mounting above a washing machine make sure there is enough room for the lid to open.
- Allows 5-10cm on top of the dryer for ease of installation if you are installing the appliance near the ceiling.
- If you are installing the dryer above shoulder height then it has to be installed upside down for ease of use and reach.
- If wall mounting dryer onto a plasterboard wall, make sure the brackets are securely fitted to a timber stud, if the space between the studs is too wide, fit a slat between the studs.

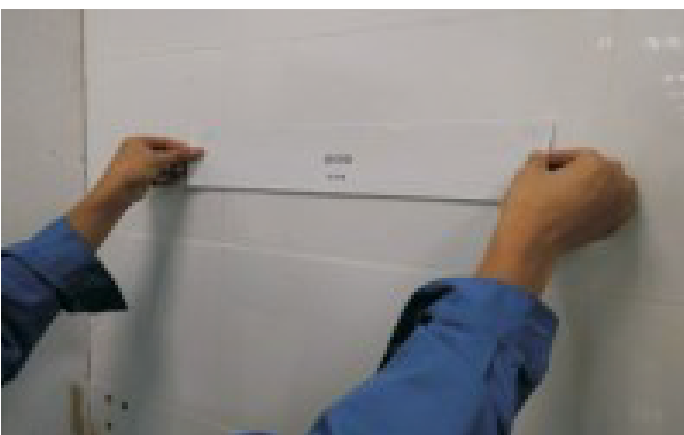
WARNING: Only install this appliance with 2 people to lift the dryer, we strongly recommend this to prevent injury or damage to the product.

The below instruction will guide you on the measurements needed to drill the holes, the positioning of the hooks and support parts.

1. Fix the position of the below horizontal guidance drawing, make sure to draw a horizontal line with a level and make sure the screw holes do not overlap with nearby power outlets or taps.



2. Remove the adhesive paper from the back of the positioning paper and paste the positioning paper to the wall.



Wall mounting instructions continue onto next page.

GETTING STARTED (Cont.)

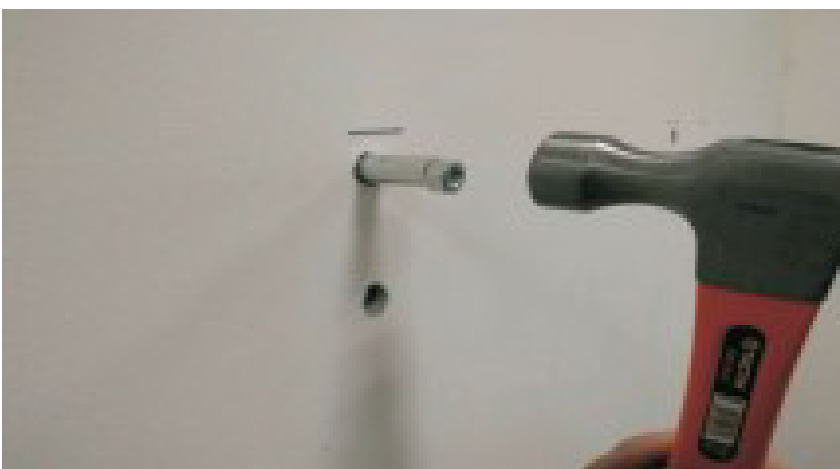
4. According to the guidance drawings you have positioned on the wall.
Drill 4 holes (Ø14mm) within the specified holes on the positioning paper.
Ensure the holes are drilled 60mm in depth.

4x Expansion Screws



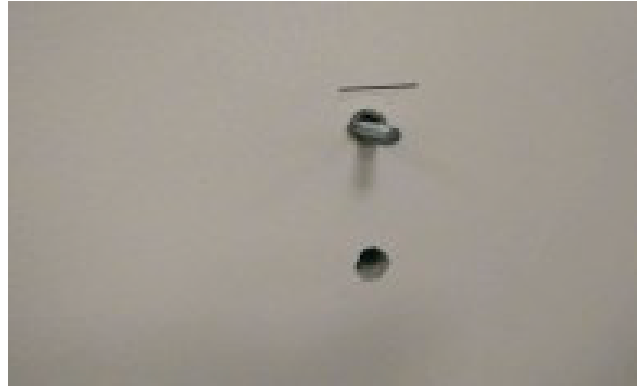
5. Now that you have drilled the holes, use the 4x Expansion Screws bolts provided and 2 hooks (upper part) to screw into the holes.

By doing this, first hammer in the 4 bolts and tube into the drilled holes, make sure to attach 1 nut to each bolt, To prevent the thread being damaged, dont expose the end-thread of the bolt

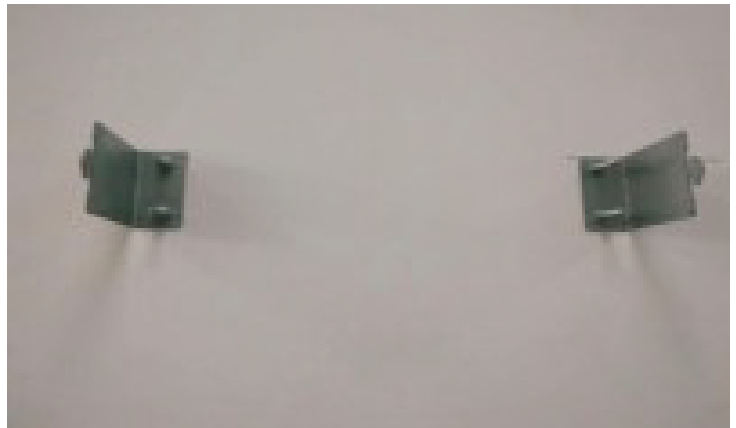


GETTING STARTED (Cont.)

6. After the bolts are hammered into the wall, remove the nuts and expose the bolts. Place a suitably sized auxiliary tube over the bolt and hammer the tube until the anchor tube is completely flush with the wall surface.



7. Remove the hooks from the accessory kit and attach to the bolts with a socket or a wench.



Wall mounting instructions continue onto next page.

GETTING STARTED (Cont.)

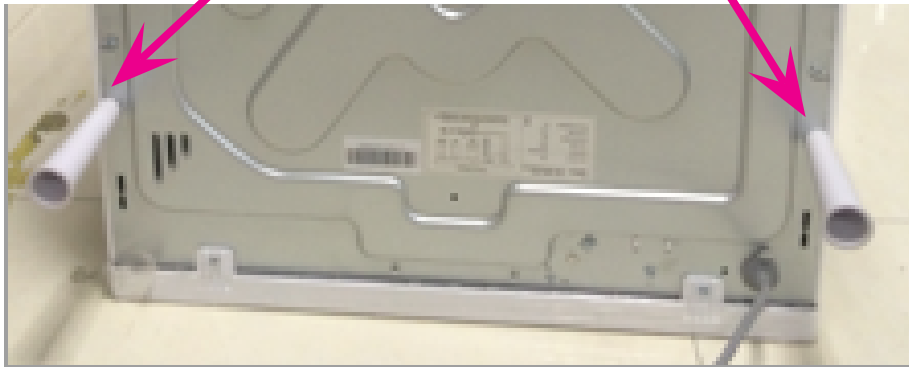
7. Place the unpackaged clothes dryer on the floor.

Remove the existing two screws at the back of the appliance with a Phillips head screwdriver (Diagram A). Thread the screws through the holes in the standoffs and then fasten them into the original screw holes.

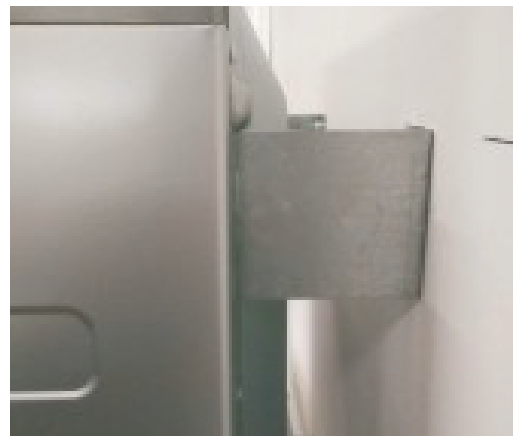
2 x Standoffs



Diagram A



8. Now that you have placed the standoffs on the back of the dryer, make sure with 2 people (including you) that you lift the appliance onto the hook. Make sure the hooks are placed into the long holes on the appliance that are located at the back, left and right side.



INSTRUCTIONS

CAUTION!

Make sure you read all safety precaution in this manual that cause a hazard if placed in the clothes dryer.

LOADING THE DRYER

- Before loading the dryer, check that none of the clothes you are inserting into the dryer have any symbols anywhere on them. These symbols indicate that there are not suitable for clothes drying.



Dry flat



Dry in the shade



Do not tumble dry



Hang to dry



Drip dry

- Make sure none of the items you are putting into the dryer have no combustible materials or foreign objects (such as coins, hair pins or lighters). Be sure to empty pockets of everything before putting into the dryer.
- Clean the filter before each use and make sure its properly back in palce.
- To avoid items getting tangled in the dryer which can reduce drying performance, please insert items into the dryer one at a time.
- Turn items with cippers inside out and fasten buckles, as this will help to reduce impact noise with items hitting the drum while spinning.
- Make sure to check items for stains before inserting into the dryer, as drying can permanantly set stains.
- As you dry large blankets or sheets from time to time open the dryer door take out the blanket or sheet and give it a shake then place back into the dryer. This will help larger items with drying process.

WARNING: Do not overload the dryer, maximum amount of items that can be dried in one load is 7kg.

- Make sure only items that have been washed and are still we are placed in the dryer, no items that are dry are to be placed in.
- Be sure when closing the dryer door that not items are jammed in the door.
- Do not add items to the dryer while it is operating.

OPERATION

DRYING CLOTHES

| CLOTHING TYPE | APPROXIMATE HUMIDITY | CAPACITY (KG) | PROGRAMS | DRYNESS LEVEL | NOTE |
|---------------|----------------------|---------------|-----------|---------------|---|
| COTTON | 80%~90% | 7 | Cotton | Extra | According to the type and capacity of the clothing, select the most suitable program and dryness level. |
| | 60%-70% | 7 / 3.5 | Cotton | Standard | |
| | | 7 | Cotton | Less | |
| Mix | 70% | 7 / 3.5 | Mix | Extra | |
| | 60% | 7 / 3.5 | Mix | Standard | |
| Synthetic | 50% | 3.5 | Synthetic | Extra | |
| | 40% | 3.5 | Synthetic | Standard | |
| Cotton | - | 1 | 1 Hr | - | |

Drying times is affected by many different factors, such as the type of materials used in the clothing, bulkiness of the items and how full the dryer is, etc..

Cotton + Extra Dryness level is used for the energy efficiency program.

ERROR CODES

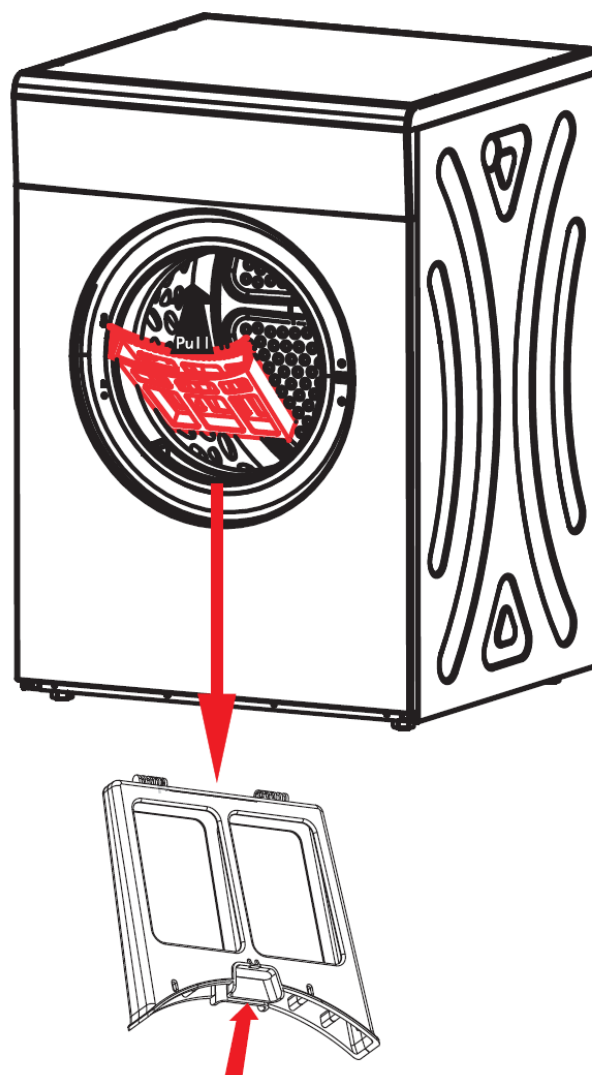
| ERROR CODE | DESCRIPTION | CRITERIA | ACTION AFTER FAULT | FAILURE INDICATION |
|------------|--------------------------|---|--|--------------------------------|
| E1 | Over Temperature | NTC or PCB fault | Stop the program and go to fault state | LED Slow Flashing |
| E3 | Temperature Sensor Error | Temperature Sensor is open or PCB Fault | Stop the program and go to fault state | LED Slow and Standard Flashing |
| E4 | Temperature Sensor Error | Temperature Sensor is open or PCB Fault | Stop the program and go to fault state | LED Fast Flashing |

OTHER USEFUL INFORMATION

CLEANING THE FILTER

1. Clean the lint filter before each use. Remove it by pulling it straight up and unbolt the filter.
2. The lint filter is located in the door opening, remove the lint filter.
3. When you remove the filter by squeezing the sides, and use a damp cloth to wipe the filter. Be careful not to damage the filter.

Make sure to dry the filter in the sun before inserting back into the dryer.



FAQS

TROUBLESHOOTING GUIDE

Use the below list to identify if your clothes dryer is having any issues and to identify and solve any problems. If you cannot solve the problem, contact our call centre on 1300 296 699.

| PROBLEM | POSSIBLE CAUSE | SOLUTION |
|--------------------------------|--|---|
| No response from buttons | Power plug inserted correctly? | Ensure that the power plug is firmly connecting into the power socket. |
| The drum is not turning | Is the door closed correctly? Is the power plug firmly connected? Does the power socket have power? | Close the door. Insert the plug correctly. Check with another appliance to see if power is running to socket. |
| The load did not dry correctly | Too much washing in the dryer? Were the items added mid drying cycle? Has the washing been twisted while drying? | Check and clean the filters Reduce the amount of washing in the dryer. Untwist the items and dry them for a little longer. |
| The Dryer isnt starting | No power? Is the power plug in correctly? Is the door closed? Have you selected a program? Is the power switched on at the wall? | Check and try again when the power is back. Insert the power plug firmly. Closed the door correctly. Set a drying program. Switch on power at the wall. |

SPECIFICATIONS

| | |
|------------------------------|-----------------------|
| Dimensions | 595 x 555 x 840 mm |
| Weight | 35kg |
| Rated Input Power | 220-240V ~ 50Hz 2000W |
| Rated Volume of Dryer | 7kg (dry clothes) |
| Ambient Temperature | +5°C ~ +35°C |

NOTE: The rated capacity is maximum capacity, make sure that the dry clothes which are loaded in to the appliance do not exceed the rated capacity each time.

SEIKI™

CUSTOMER HELPLINE:

1300 296 699

DISTRIBUTED BY:

Ayonz Pty Ltd