

# SEIKI™

## SLIDE OUT RANGEHOOD

SC-6000AURH



## INSTRUCTION MANUAL

Please read this manual carefully before using, and keep it for future reference.



# CONTENTS

---

General Safety	4
Product Overview	8
Installation	9
Instructions	15
FAQs	16
Other Useful Information	17
Specifications	18
Customer Helpline	20

---

# GENERAL SAFETY

## IMPORTANT INFORMATION

Read this manual thoroughly before you start using the Slide out Rangehood. The safety precautions instructions reduces the risk of fire, electric shock and injury when correctly complied to.

Please follow all instructions and take notice of all warnings.

Pay close attention to messages that follow this safety alert symbol or the words **DANGER**, **WARNING** or **CAUTION**. These words will be used to alert you of potential hazards that and injure you and others. Following these instruction will tell you how to reduce the chance of injury and the possible dangers if instructions aren't followed.



**WARNING**

This symbol indicates when there is a serious risk of injury if you do not pay attention to the warnings.



**CAUTION**

This symbol indicates when to be careful to avoid a serious risk of injury to oneself or damage to property.

# GENERAL SAFETY INSTRUCTIONS (Cont.)

## **WARNING!**

**THE INSTALLATION OF THIS PRODUCT CAN ONLY EVER BE INSTALLED BY A LICENCED ELECTRICIAN. DO NOT IN ANY WAY TRY TO INSTALL THIS PRODUCT YOURSELF.**

To reduce risk of fire, electric shock or injury, always follow these basic precautions and accident prevention measures when using this appliance, including the below:

**NOTE:** This appliance should be installed by an authorised electrician else warranty will be void.

### **IMPORTANT INSTALLATION ADVICE**

- Do not allow electrical wiring and fittings to come into contact with areas associated with equipment that can get hot.
- The exhaust air is not to be discharged into the flue which is used for exhausting fumes from appliances such as burning gas or other fuels.
- Check and make sure that you follow your local laws that apply to external air evacuation when installing and using the rangehood.
- If power cord is damaged, it must be replaced immediately from the manufacturer or a qualified electrician/technician to avoid hazard.
- Before plugging in the unit make sure the voltage indicated on the rating label matches the voltage to your outlet.
- Before cleaning the rangehood, make sure you switch off and disconnect. Make sure you do not disconnect appliance with wet hands, grip by the plug NOT the cord itself and pull when disconencting.

# GENERAL SAFETY INSTRUCTIONS (Cont.)

## **USAGE CONDITIONS AND RESTRICTIONS**

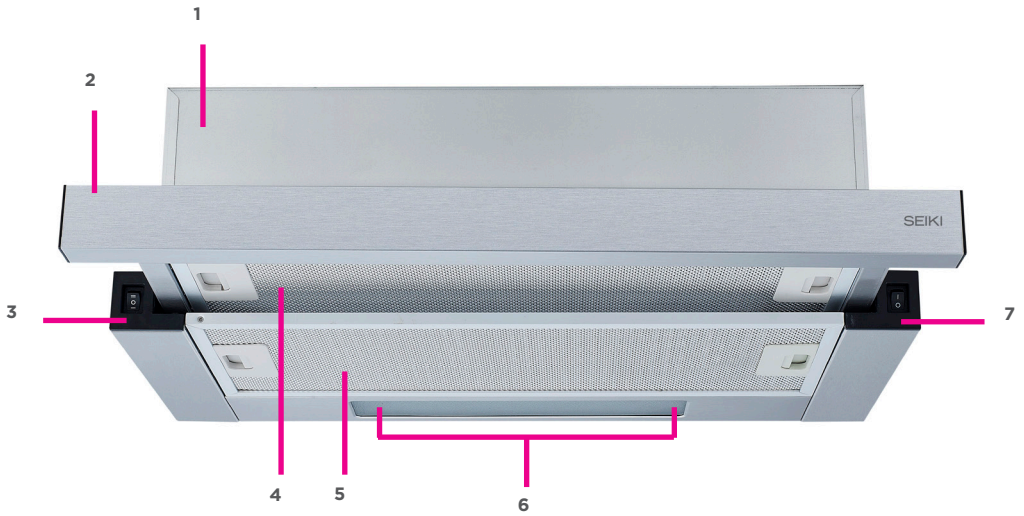
- This appliance is not to be used by persons (including children) with reduced physical, sensory or mental capabilities, or lack of experience and knowledge, unless they are being supervised or been given instructions on how to use of the appliance in a safe way and understand the hazards with using this appliance incorrectly.
- Be sure to always supervise children to ensure that they do not play with the appliance. Close supervision is needed when using the rangehood.
- Only for indoor domestic use only. It is not to be used for industrial or commercial use.
- Do not use this product for anything other than its intended purpose, and only use it as described in this manual. Do not attempt to alter or modify this appliance.
- The rangehood is not intended to be operated by means of an external timer or seperate remote control system.
- Damage or malfunction caused from foreign objects is not covered by your warranty to the appliance.
- Make sure you do not use the rangehood if any part has been damaged or does not work correctly. It must only be repaired by a qualified technician. An incorrect repair could expose you to risk of electric shock, fire or injury. If you continue to use the product in such a condition it could cause a fire or electrocution.
- Incorrect use can result in property damage, injury or death. We assume no liability for misuse of the appliance or noncompliance with these instructions.
- There shall be adequate ventillation of the room when the range hood is used at the same time as appliances burning gas or other fuels (not applicable to appliances that only discharge the air back into the room).

# GENERAL SAFETY INSTRUCTIONS (Cont.)

## **CAUTIONS!**

- Make sure when using the rangehood with either an open fire such as a burner that depend on air from the environment other than electricity, the rangehood removes air from the environment which a burner needs for combustion.
- No open flame cooking: do not use an open flame for cooking underneath this rangehood. Open flames can damage the filter and preset a fire hazard.
- Do not touch the light bulbs after the appliance has been used as it may be hot.
- **FIRE RISK:** clean your rangehood regularly as instructed in this manual. There is a fire risk if cleaning is not carried out.
- Accessible parts may become hot when used with cooking appliances.

# PRODUCT OVERVIEW



- 1 Rangehood housing
- 2 Slide out front panel (fascia)
- 3 On/off fan speed switch
- 4 Inner aluminium mesh filter
- 5 Outer aluminium mesh filter
- 6 Lights
- 7 Light switch



# INSTALLATION

Before installing your appliance, read all safety instructions in this manual, especially the sections on electrical safety and installation.

## **UNPACKING**

- When unpacking the appliance, be sure to keep all the packaging materials until you have made sure your new appliance is undamaged and in good working order.
- Be sure to remove all packaging materials around the oven and inside the oven.
- **CAUTION:** Plastic wrapping can be a suffocation hazard for babies and young children. Make sure all packaging materials are out of reach for children and that they are disposed of correctly.

## **WARNING!**

**THE INSTALLATION OF THIS PRODUCT CAN ONLY EVER BE INSTALLED BY A LICENCED ELECTRICIAN IN ACCORDANCE WITH RULES AND REGULATIONS AND FOLLOWING INSTRUCTIONS IN THIS MANUAL.**

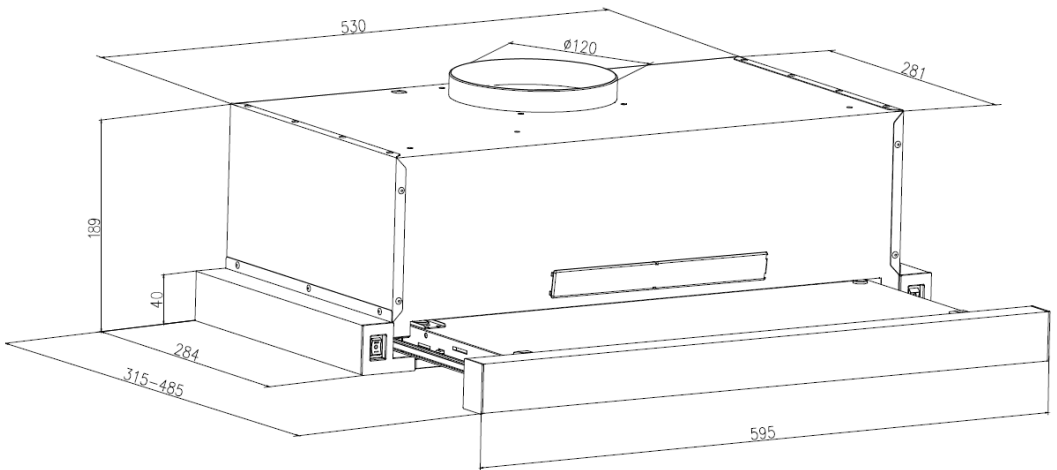
Make sure you do not try to install the oven yourself, doing will expose you to danger and void the warranty. Incorrect installation, adjustment, alteration or service can cause injury or damage. We do not assume responsibility for injury or damage to a person or persons or property as a result of incorrect use or installation.

# INSTALLATION (Cont.)

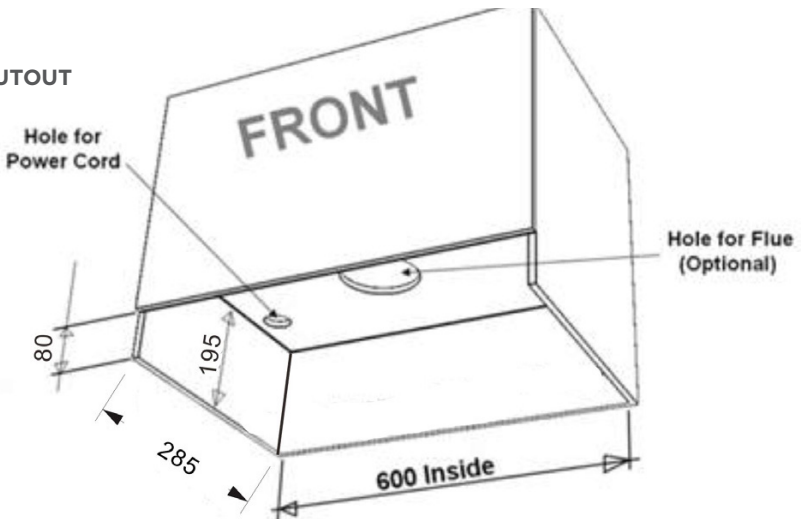
## INSTALLING RANGEHOOD

- The distance of the rangehood to you cooktop should be a minimum of 650mm to 750mm, this ensures safety of heat produced from cooktop doesnt damage the rangehood, and if you have a Gas Cooktop that the Rangehood does not take away air needed for combustion for the burners.
- Below are the cutout measurements needed for the cabint for rangehood installation.

## PRODUCT DIMENSIONS



## CABINET CUTOUT



# INSTALLATION (Cont.)

## VENTING OPTIONS

- Before installing the rangehood, please check and ensure that the two levers on the motor are set to the desired venting mode (Fig. 1): “Ducting” or “Recirculating”.
- Steam can be vented to the outside (Fig. 5, outdoor ducting mode), if you are able to knock a hole in the ceiling or wall for the exhaust ducting pipe (not supplied). Alternatively, you can vent the steam back into the kitchen (Fig. 6, recirculating mode), using the odour-absorbing charcoal filters (already installed).

FIG. 1

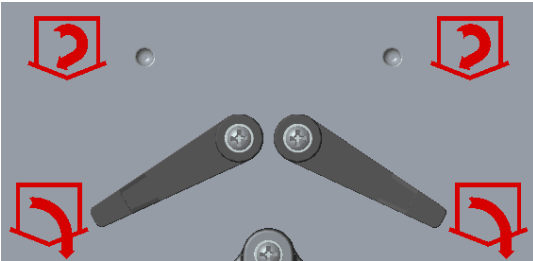
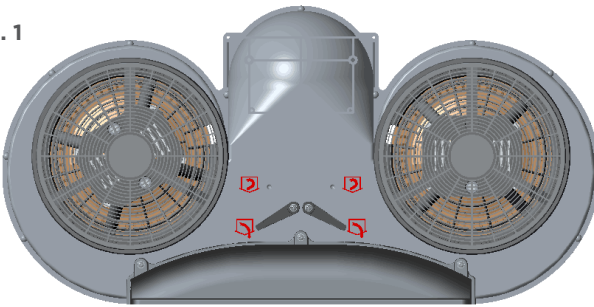


FIG. 2



FIG. 3

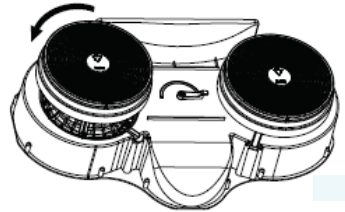
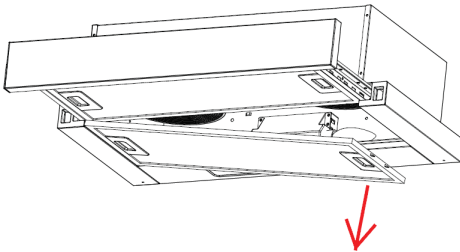
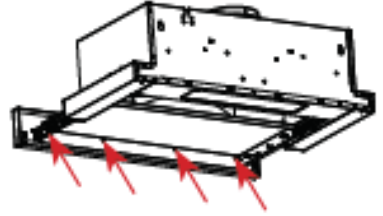


# INSTALLATION (Cont.)

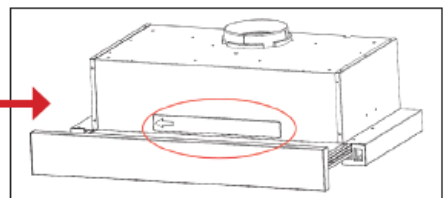
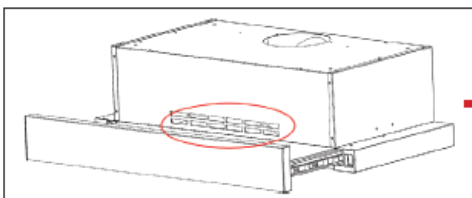
## OUTDOOR DUCTING MODE

This is the recommended extraction mode wherever possible for optimum performance. If you are able to install an exhaust duct (not supplied) to vent the air outside and operate your rangehood in outdoor ducting mode, proceed as follows:

- Unscrew the 80mm fascia rail which is already installed on the rangehood.
- Using the same screws, attach the 40mm fascia rail supplied in the box.
- If you haven't already done so, remove the aluminium mesh filters from the underside of the rangehood and set the two levers in the centre of the motor housing to the "Ducting" position.
- Remove the charcoal filters by turning anticlockwise. The charcoal filters are not required for outdoor ducting mode.



- Clip in the plastic front vent cover over the vent holes on the front of the rangehood.
- Install the flue outlet adaptor to the top of the rangehood.
- Install the ducting pipe (not supplied) to the outlet on the top of the rangehood and vent to the outside. We recommend using a ducting pipe with a diameter of 120mm.
- When installing the rangehood in external ducting mode, you can cover the front air outlet with the supplied front vent cover.



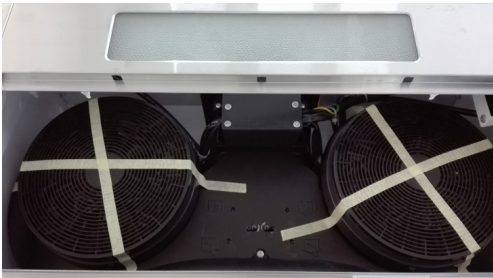
# INSTALLATION (Cont.)

## RECIRCULATING MODE

This mode is the default setting. The rangehood will operate with carbon filters and vent the air back into the kitchen. To ensure that the mode is correct, remove the grease filters and check that the two levers are in the “Recirculating” position.

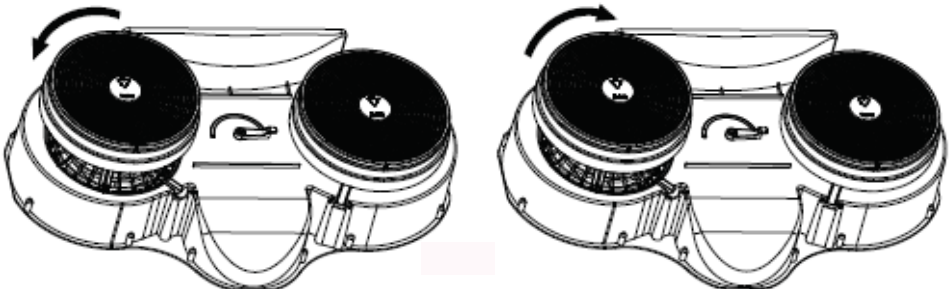
## CHARCOAL FILTERS

- If you intend to use the rangehood with the air recirculating back into the kitchen, it is important that you use the charcoal filters to absorb some of the cooking odours.
- The rangehood comes supplied with the charcoal filters already installed. However, before you install it into your kitchen cabinet, make sure to remove any adhesive transit support tape (if any) on the carbon filters.



## REMOVING AND INSTALLING CHARCOAL FILTERS

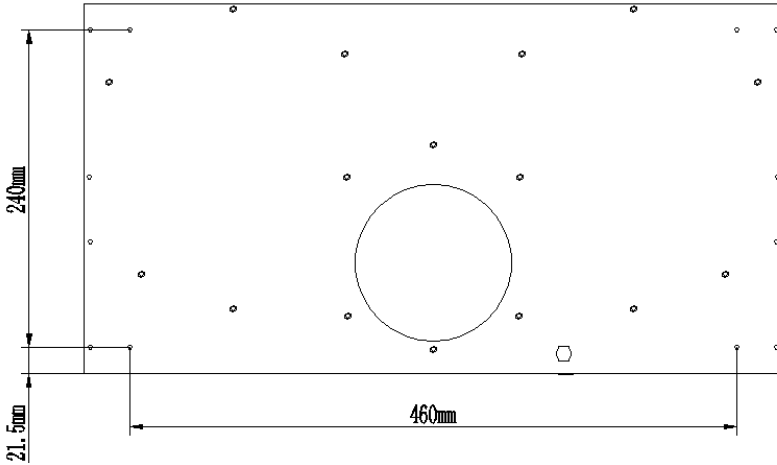
- To remove the charcoal filters, first remove the grease filters, then turn anticlockwise and pull down.
- To install new charcoal filters, first remove the grease filters, then align the charcoal filters with the centre of the motors, push upwards and turn clockwise until they lock into place.



# INSTALLATION (Cont.)

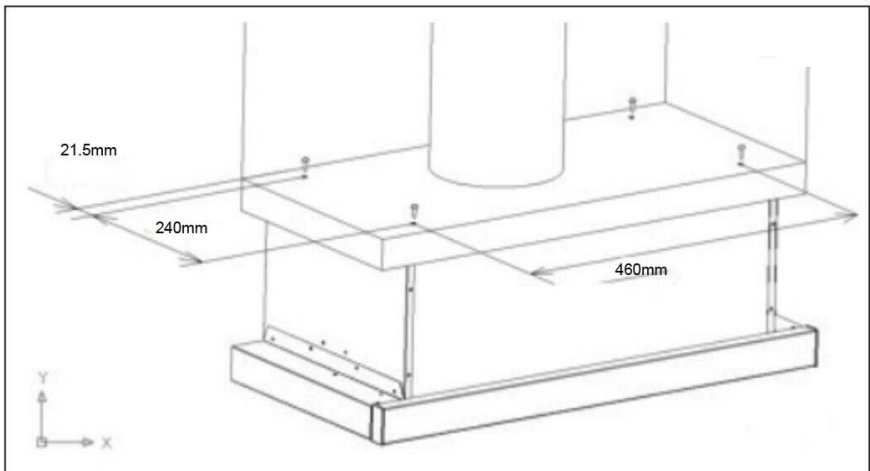
## TOP MOUNTING IN A CABINET

- Determine where in the top cabinet you want to install the rangehood, then drill 4 holes of  $\text{Ø}4\text{mm}$  at the bottom of the hanging board of your cabinet.



- You will also need to make an opening for the power cord and plug and, if the rangehood is to be ducted to the outside, a hole for the ducting.
- Install the rangehood onto the bottom of the cupboard and secure it in place with four M4x30mm screws.

**WARNING:** Failure to install the screws or fixing device in accordance with these instructions may result in electrical hazards!



# INSTRUCTIONS

After the rangehood has been properly installed, insert the power plug into an appropriate electrical outlet and let the unit run for a few minutes prior to using it while cooking.

## TURNING OFF AND ON

- Determine where in the top cabinet you want to install the rangehood, then drill 4 holes of Ø4mm at the bottom of the hanging board of your cabinet.



**This switch turns the rangehood lights either on or off.**

I Turns the rangehood lights ON.

O Turns the rangehood lights OFF.



**This button switches the rangehood on and toggles between the fan speed settings: HIGH, LOW, OFF.**

= Turns on the fan motors to HIGH speed for maximum extraction.

O Turns off the fan motors for no extraction; the rangehood is switched OFF.

- Turns on the fan motors to LOW speed for minimum extraction.

## NOTE:

- The rangehood will only operate once the slide-out rail is pulled outwards towards the kitchen.
- Close the front panel and the rangehood will stop working.
- The next time the front panel is pulled back out, the rangehood will start working at the previously set level.

# FAQS

If experiencing issues with your oven and isn't operating correctly please check the following pages for solutions to the problems. If none of the solutions offered help solve the problem with your appliance then please contact our call centre on 1300 296 699.

## **DO NOT ATTEMPT TO REPAIR THE APPLIANCE YOURSELF.**

Problem	Solution
The extractor fan is not functioning	<ul style="list-style-type: none"><li>• Check with other appliances if you electricity supply is in working order.</li><li>• Check and ensure that the fan speed switch is set to “-” or “=”.</li><li>• Make sure that the slide-out rail is pulled out.</li></ul>
There is not enough suction power	<ul style="list-style-type: none"><li>• Up the suction Speed</li><li>• The Filter may need to be replaced</li><li>• Check the ducting outlets for blockages if the vent are installed to go outside.</li><li>• Make sure your kitchen has plenty of ventilation</li></ul>
Rangehood switched off during use.	<ul style="list-style-type: none"><li>• Turn off rangehood, wait for a moment then switch back on.</li></ul>
The lights are not turning on	<ul style="list-style-type: none"><li>• The lights may have burnt out, please replace them.</li></ul>



# OTHER USEFUL INFORMATION

## CLEANING AND MAINTENANCE

**CAUTION:** Before cleaning the rangehood or maintenance, make sure the operation and light switched are set to “0” and the rangehood is disconnected from the power supply.

- Make sure to clean the filters regularly as oil and food can become a fire hazard over time.
- Never use a steam cleaner to clean the rangehood.
- When cleaning the exterior surface of the rangehood, make sure to use a soft cloth dampened with household solvent or a sponge dampened with water when wiping the rangehood.
- The aluminium mesh filters must be cleaned regularly to ensure good working condition and to prevent potential fire hazard over time due from food residue build up.
- When removing the aluminium filters, wash the filters thoroughly with warm soapy water. Rinse with warm water and leave to dry. Over time as you wash the filters the panels may slightly change colour, this is not a fault and cause of no concern.

# SPECIFICATIONS

<b>Power Supply</b>	220-240V / 50Hz
<b>Product Dimensions</b>	595 (w) x 315 (d) x 194 (h) mm
<b>Extended depth (mm)</b>	315 - 485mm
<b>Weight</b>	Net: 9kg / Gross: 10kg
<b>Motor Power</b>	2 x 95
<b>Lamp Power</b>	2 x 28W
<b>Total Input Power</b>	246
<b>Maximum Air Flow</b>	400M3/H
<b>Height of Front Panel</b>	40mm/80mm
<b>Filters</b>	2 Aluminium mesh filters
	2 Charcoal filters



# SEIKI™

**CUSTOMER HELPLINE:**

[info@ayonz.com](mailto:info@ayonz.com)

**DISTRIBUTED BY:**

Ayonz Pty Ltd