

SEIKI | **S**HOME

473L
FRENCH DOOR
REFRIGERTOR

SC-470AU9FDS



INSTRUCTION
MANUAL

Please read this manual carefully before using, and keep it for future reference.

CONTENTS

General Safety	4
Product Overview	8
Installation	9
Control Panel	11
Operation Modes	12
Operation	13
First Time Use	13
Temperature Control	14
Fresh Food Area	15
Troubleshooting	16
Specifications	17
Customer Helpline	17

GENERAL SAFETY

IMPORTANT INFORMATION

Read this manual thoroughly before you start using the Refrigerator.
The safety precautions instructions reduces the risk of fire, electric shock and injury when correctly complied to.
Please follow all instructions and take notice of all warnings.



Pay close attention to messages that follow this safety alert symbol or the words **DANGER, WARNING** or **CAUTION**. These words will be used to alert you of potential hazards that and injure you and others. Following these instruction will tell you how to reduce the chance of injury and the possible dangers if instructions aren't followed.



Warning: Risk of Fire/
Flammable Materials

This symbol alerts you to take care as the appliance contains flammable materials: isobutane as refrigerant and cyclopentane as insulation blowing gas. Do not expose it to high heat, sparks and open flames.

The refrigerant isobutane (R600a) is contained within the refrigerant circuit of the appliance, a gas with a high level of environmental compatibility, which is flammable. During transportation and installation of the appliance, make sure that none of the components of the refrigerant circuit become damaged.

WARNING: Never use an appliance with a damaged refrigerant circuit. If the refrigerant circuit becomes damaged, avoid proximity to open fires and all types of heat and ignition sources. Thoroughly ventilate the room in which the appliance is located.

It is dangerous for anyone other than an authorised service person to work on this appliance. In Queensland, the authorised service person **MUST** hold a Gas Work Authorisation for hydrocarbon refrigerants to carry out servicing or repairs which involve the removal of covers.

The room for installing the appliance must be at least 1m³ per 8g of refrigerant. The amount and type of refrigerant in the appliance can be found in the Technical Specifications at the back of the manual and on the appliance rating label.

GENERAL SAFETY INSTRUCTIONS (Cont.)

This appliance is intended to be used in household and similar applications such as: - staff areas in shops, offices and other working environments;
- farm houses and by clients in hotels, motels and other residential type environments;
- bed and breakfast type environments;
- catering and similar non-retail applications

R600A WARNINGS

NOTE: This model uses 0.066Kg of R600a flammable refrigerant in its sealed system. The following must be observed for your safety:

R600A Refrigerant Warning

- This appliance contains a small quantity of R600A refrigerant which is environmentally friendly, but flammable. It does not damage the ozone layer, nor does it increase the greenhouse effect.
- During transportation and installation, ensure that the tubing of the refrigerant circuit is not damaged.
- Leaking refrigerant can ignite and may damage the eyes.
- In the event any damage does occur, avoid exposure to open fires and any device which creates a spark. Disconnect the appliance from the mains power.
- Thoroughly ventilate the room in which the appliance is located for several minutes.
- Notify Customer Service for necessary action and advice.
- The room for installing the appliance must be at least 1 cubic metre per 8 grams of refrigerant. The refrigerant quantity contained in this appliance is listed above in grams; it is also noted on the Rating Plate of the appliance.

It is hazardous for anyone other than an Authorised Service Person to carry out servicing or repairs to this appliance. In Queensland the authorized person must hold a Gas Work Authorisation for hydrocarbon refrigerants, before carrying out servicing or repairs which involve the removal of covers.

WARNING

1. Keep ventilation openings, in the appliance enclosure or in the built-in structure, clear of obstruction.
2. Do not use mechanical devices or other means to accelerate the defrosting process, other than those recommended by the manufacturer.
3. Do not damage the refrigerant circuit.
4. Do not use electrical appliances inside the food storage compartments of the appliance, unless they are of the type recommended by the manufacturer.
5. Do not store explosive substances such as aerosol cans with a flammable propellant in the appliance.

The environment and personal safety must be considered when disposing of this appliance. Please ensure the appliance is taken to a recycle center for safe recycling. DO NOT dispose of the appliance in land fill as the insulation and refrigerant gas contained in these appliances are flammable.

GENERAL SAFETY INSTRUCTIONS (Cont.)

To reduce risk of fire, electric shock or injury, always follow these basic precautions and accident prevention measures when using this appliance, including the below:

INSTALLATION

- **Heavy:** The product is heavy, be careful when moving it. To avoid back or other injury, have 2 people lift or mechanical aid when installing.
- **Damage:** When unboxing, thoroughly inspect the appliance carefully for any damage. If there is any damage, do not install the appliance. Contact our support centre on info@ayonz.com for advice.
- **Protection from moisture:** Make sure the appliance is installed in an indoor area away from wind, rain, water spray or drips.
- **Protect from heat:** Do not place the appliance next to an oven, grill or other source of high heat, or where it will be exposed to direct sunlight for long periods of time.
- **WARNING: Ventilation:** Make sure to have enough ventilation, keep any ventilation openings, in the appliance enclosure or in the built-in structure, clear all obstructions. Make sure plenty of air circulation around the appliance to prevent overheating.
- **Level:** Install appliance level in order for proper operation.

ELECTRICAL SAFETY

- **Voltage:** Plug the appliance to a 220-240V, 50Hz, properly earthed power outlet, it must be in good working order.
- **Power connection:** Do not use an adaptor or an extension cord. Plug the power plug directly into a separate power point that cannot be accidentally turned off, and that is easily accessible so you can switch it off if needed.
- **Power cord:** Do not kink or damage the power supply cord. Make sure it is behind the appliance so no one can step on or place anything on the power supply cord or against it. A damaged power plug may overheat and cause a fire.
- **Damaged cord:** Do not use a cord that shows cracks or abrasion damage. Any damage to the cord may cause a short circuit, fire and/or electric shock. Contact our support centre on info@ayonz.com for advice
- **WARNING!** The light supplied with this appliance cannot be replaced by the user. Contact the authorised service agent for replacement or service.
- **Disconnection:** Never pull the powercord to unplug appliance. Grip the plug and pull straight out from the power point.
- **Electrical work:** If the installation of this appliance requires any electrical work, make sure it is carried out by an electrician.

Warning!

1. Do not locate multiple portable socket-outlets or portable supplies at the rear of the appliances.
2. When positioning the appliance, ensure the supply cord is not trapped or damaged.

GENERAL SAFETY INSTRUCTIONS (Cont.)

USAGE CONDITIONS AND RESTRICTIONS

- **Children:** Supervision over children is to ensure that they do not play with the appliance. Never allow them to use, play with or crawl inside the appliance. Cleaning and maintenance must not be done by children.
- **Usage restrictions:** The appliance is not to be used by persons (including children) with reduced physical, sensory or mental capabilities, or lack of experience and knowledge, unless they have been given supervision or instruction.
- **Indoor domestic use only:** Only for indoor domestic use only, such as in households, kitchen areas in shops, offices and in other working environments, use by clients in hotels, motels, bed and breakfast establishments and in catering and similar non-retail applications. It is not to be used for industrial or commercial use.
- **Intended purpose:** Do not use this product for anything other than its intended purpose, and only use it as described in this manual. Do not attempt to alter or modify this appliance.
- **WARNING!** Do not use any electrical or electronic appliances inside the food storage compartments of the appliance, unless they are of the type recommended by the manufacturer.

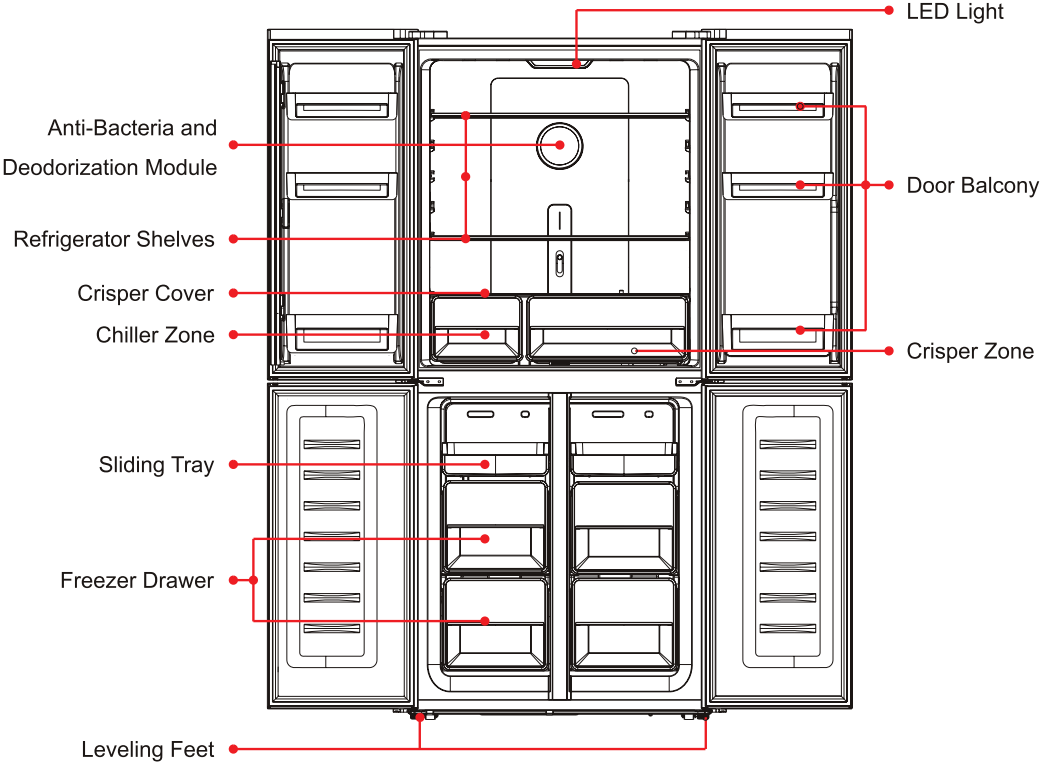
CLEANING AND MAINTENANCE

- **Flames:** Do not allow open flames or ignition sources enter the appliance.
- **Disconnect:** Make sure to unplug appliance before cleaning or servicing. Failure to do so can result in electric shock, injury or death. Do not connect or disconnect the plug when your hands are wet.
- **Flammable/explosive substances:** Do not store flammable or explosive substances such as aerosol cans with flammable propellant in this appliance.
- **Solvents:** Do not use solvent based cleaning products or abrasives on the interior.
- **WARNING!** Do not use mechanical devices or other means to accelerate the defrosting process, other than those recommended by the manufacturer
- **Service:** Never try to repair, modify or replace any part of the appliance, unless this manual says you can do so. All other servicing is to be done by a qualified technician, or contact our support centre on info@ayonz.com for advice.

REPOSIBLE DISPOSAL

- Do not throw this appliance out with your household rubbish. Observe any local regulations regarding the disposal of electrical consumer goods and dispose of it appropriately.

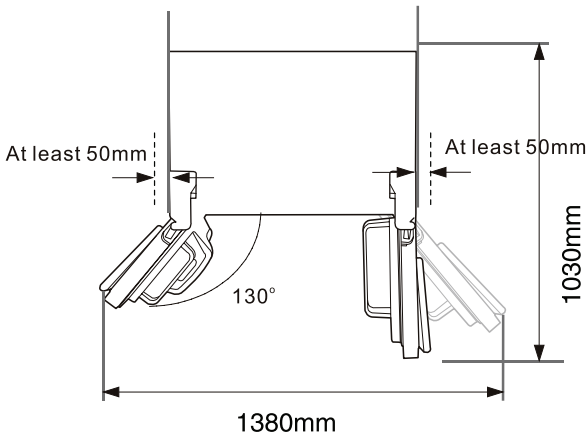
PRODUCT OVERVIEW



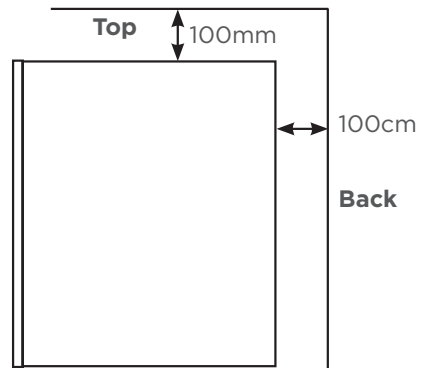
INSTALLATION

- **Safety first:** Before installing your new bar fridge, read all safety instructions in this manual, especially the sections on electrical safety and installation.
- Do not tilt the appliance more than 45° from upright when moving.
- This appliance is designed to be freestanding only and is not be recessed or built in.
- Do not apply force to any part such as the condenser or door.
- Place the bar fridge on a strong, level floor that is solid enough to support the unit when it is fully loaded.
- To fix the balance, Adjust the levelling legs at the bottom of the appliance.
- Ensure there is nothing that could prevent the door from closing.
- **SPACING:** Allow 10cm clear space between the back and 5cm on the sides of the appliance and your wall or anything else to make sure there is enough air circulation, which is needed to allow for the cooling of the compressor and condenser.
- If you have to position the refrigerator on carpet, use a plastic carpet protector underneath the appliance.

TOP VIEW



SIDE VIEW



BE SURE TO PLACE APPLIANCE:

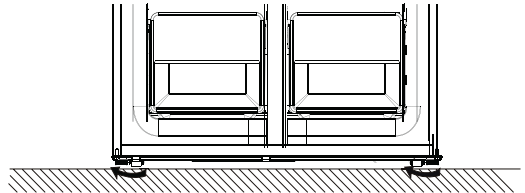
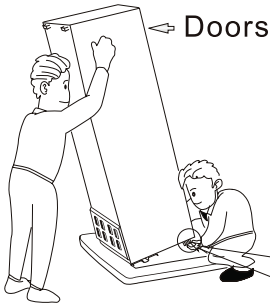
- Away from direct sunlight.
- Away from sources of heat (may increase power consumption).
- An area without excessive moisture and high humidity.

WARNING: Before you plug in the appliance, let it stand upright for 2 hours.

This will allow the refrigerant gases to settle into the compressor and reduce the possibility of a malfunction in the cooling system from transportation.

INSTALLATION (cont.)

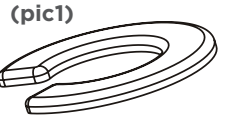
LEVELLING THE REFRIGERATOR



- Leveling and anchor the refrigerator by adjust the feet.
- Clockwise rotate feet to heighten them by hand.
- Anticlockwise rotate feet to lower them by hand.

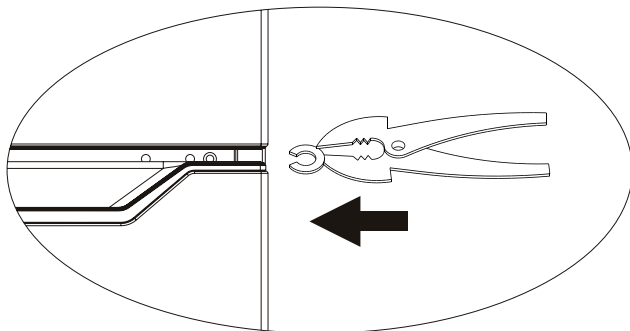
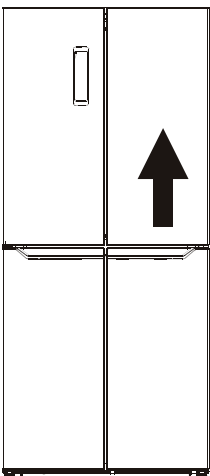
LEVELLING THE DOORS

This refrigerators comes with three C-type washers (pic1), you can use to realign the fridge compartment (upper) doors. They may be slightly out of alignment after delivery, or after you have loaded items on the door balconies.



Should the doors need to aligned, please see following steps:

1. Before checking the door alignment, make sure that the appliance is stand level and upright.
2. If the top of the two upper doors looks out of line, slightly lift the lower part of the door and using pliers > insert 1 x C-type washer between the bottom of the door and the middle hinge.



WARNING!

Please be careful so that you do not get your fingers caught between the doors. Use a tool to avoid injury. Keep the C-type washers out of children's reach. They are small parts and could easily be swallowed.

CONTROL PANEL

The control panel display lights up for 2 minutes once the door of the fridge or freezer compartment is opened or when any control is pressed.

On first connection, the display shows the factory default temperatures for the fridge/freezer compartments. During normal operation, the temperature display of the fridge and freezer compartments show the temperature of the current settings.

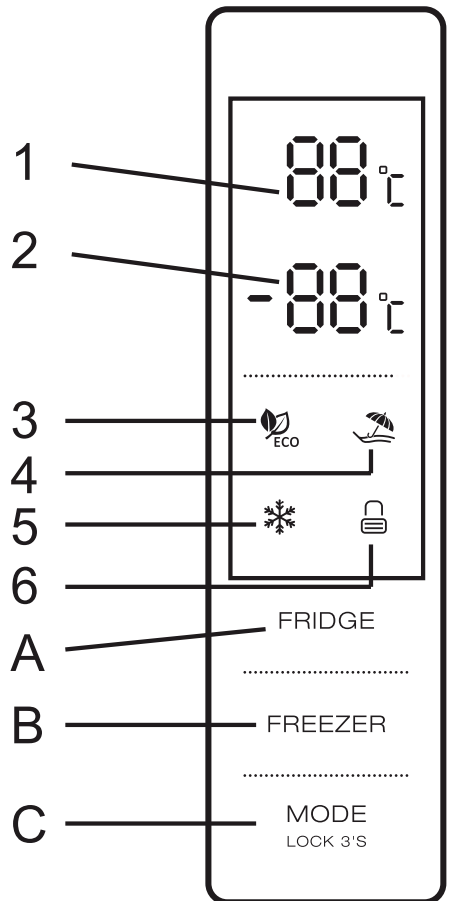
The control panel will be locked automatically 25 seconds after the last control panel action, and the control panel illumination will turn off after 2 minutes.

DISPLAY:

- 1 Temperature of the fridge compartment
- 2 Temperature of the freezer compartment
- 3 Eco mode indicator
- 4 Holiday mode
- 5 Super Freezing mode
- 6 Locked / unlocked

OPERATION:

- A Temperature control of Fridge
- B Temperature control of Freezer
- C Mode / locking / unlocking



CONTROL PANEL (Cont.)

Operation modes

The appliance can be set to four different operation modes:

1. Eco, 2. Holiday, 3. Super Freezing, 4. Customised.

- To choose the operation mode, touch the MODE control, repeatedly, until the mode you want is selected. (No icon for the Customised mode). The indicator will flash for 5 seconds when set.
- To exit the set mode, repeat same as above and select a different mode.

Eco mode

Recommended mode for normal operation. In Eco mode, the appliance keeps the temperature in the fridge compartment at 5°C and in the freezer compartment at -18°C. **The FRIDGE and FREEZER controls are disabled while in this mode.**

Holiday mode

Recommended mode for when you are on holidays and want to switch off the fridge. The appliance maintains the temperature in the fridge compartment at 17°C, which means there is no refrigeration, and the FRIDGE control is disabled while in this mode. Only the freezer will continue to run, keeping your frozen food frozen.

Super Freezing mode

Recommend you select Super Freezing mode when you have placed a large amount of fresh food into the freezer for fast freezing. In Super Freezing mode, the temperature in the freezer drops to -25°C and the FREEZER control is disabled. The temperature will stay at -25°C for 50 hours, or until you exit the mode.

Customised mode

The temperature in the freezer and fridge compartments can be set separately to suit your individual needs. The other mode indicators will be off.

Control panel lock

- Touch and hold the MODE control for 3 seconds until a beep occurs that the control panel is now locked.
- To **Unlock** the control panel before any operation, touch and hold the MODE control for 3 seconds until a beep indicates that the control panel is now unlocked.
- After 25 seconds of not using the refrigerator, the control panel will lock automatically. To change a mode or adjust temperatures, you must first unlock the control panel by pressing and holding the MODE control for 3 seconds.

OPERATIONS

First Time Use

Operation will start at the factory default settings: 5°C in the fridge and -18°C in the freezer compartment.

If you require a fast cool-down, please set the temperature controls to the coldest settings. Let the refrigerator run for 2 hours and then adjust to your desired temperatures.

Temperature control - Fridge compartment

The temperature for the fridge compartment can be set in Customised and Super Freezing mode.

To set the temperature in the fridge compartment:

1. Press and hold the MODE control for 3 seconds to unlock the control panel.
2. Touch the FRIDGE control, it will begin flashing. Keep touching the control repeatedly until the desired temperature is displayed.

The temperature can be adjusted to the following:

2°C > 3°C > 4°C > 5°C > 6°C > 7°C > 8°C > OFF.

The temp display will flash for 5 seconds, which indicates that the temperature has been set.

To shut off refrigeration in the fridge compartment, touch the FRIDGE control repeatedly until it displays **"OFF"**.

OPERATIONS (Cont.)

Temperature control - Freezer compartment

The temperature for the freezer compartment can be set in Customised and Holiday mode.

To set the temperature in the freezer compartment:

1. Press and hold the MODE control for 3 seconds to unlock the control panel.
2. Touch the FREEZER control, it will begin flashing. Keep touching the control repeatedly until the desired temperature is displayed.

The temperature can be adjusted from -14°C to -22°C .

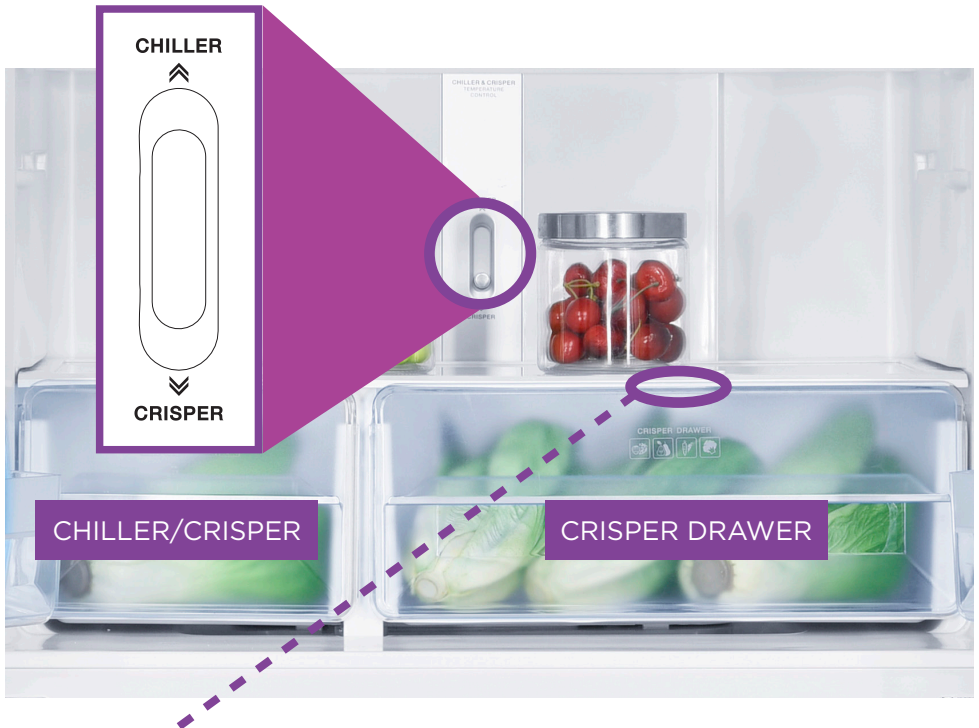
The temperature display will then flash for 5 seconds, which means that the temperature has now been set.

FRESH FOOD AREA

This Area at the bottom of the fridge compartment is dedicated to help you keep fresh produce at the right storage conditions.

With 2x Crisper drawers and the ability to adjust the left drawer labelled **“Chiller/Crisper”** into a chill compartment for foods that need to be stored at a colder temperature.

See below control panel that adjusts the Left Chiller/Crisper Drawer:



HUMIDITY CONTROL for Crisper Drawer:

has a humidity control of “Low” or “High”.

High - Suitable for vegetables.

Low - Suitable for fruits.

TROUBLESHOOTING

Problem	Possible Cause
The appliance does not operate	<ul style="list-style-type: none"> • It is not plugged in. Make sure it is properly plugged in and there is power at the socket • The circuit breaker tripped or has blown a fuse. • A general power outage has cut power to your home.
The fridge turns on and off frequently.	<ul style="list-style-type: none"> • The room temperature is higher than usual • Too much food is within the fridge. • Door is open too often • Door not closed • Temperature set incorrectly.
There are vibrations	<ul style="list-style-type: none"> • Appliance is not level.
The fridge seems to make too much noise.	<ul style="list-style-type: none"> • A rattling noise may come from the flow of the refrigerant, which is standard. • You may hear gurgling sounds caused by the flow of refrigerant. • Contraction and expansion of the internal walls may cause popping and crackling noises.
The door will not close properly.	<ul style="list-style-type: none"> • Not Level • The door was reversed and not installed correctly. • The gasket is dirty or bent. • The shelves, bins or baskets are out of position.
Moisture forms on the inside or outside walls of the bar fridge.	<ul style="list-style-type: none"> • Hot and humid weather increases the rate of frost build-up. • Open the door less often
Excessive frost and ice has built up.	<ul style="list-style-type: none"> • Door has been left open. • Something is preventing the door from closing. • The door gasket is dirty or damaged.
The compressor runs continuously.	<ul style="list-style-type: none"> • Select a lower setting. • The door is open or not closed properly. • Too much food is within the fridge.

SPECIFICATIONS

Total Gross Volume	473 Litres
Gross Refrigerator Volume	285 Litres
Gross Freezer Volume	188 Litres
Climate Class	T
Rated Current	1.5 A
Power Supply	220-240V - 50Hz
Defrost Power	220W
Energy Consumption	462 kW.h/y
Refrigerant	R600a(66g)
Insulation Blowing Gas	Cyclopentane
Weights	Net: 84 kg / Gross: 93 kg
Dimensions	790 (w) x 700 (d) x 1800 (h) mm

SEIKI

CUSTOMER HELPLINE:

info@ayonz.com

DISTRIBUTED BY:

Ayonz Pty Ltd

SEIKI | **S**HOME

CUSTOMER HELPLINE:

info@ayonz.com

DISTRIBUTED BY:

Ayonz Pty Ltd