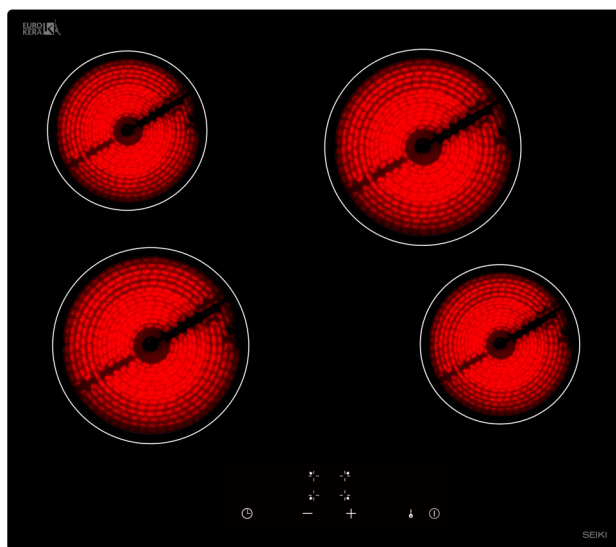


# SEIKI™

## 60CM CERAMIC COOKTOP

SC-600AUECT



## INSTRUCTION MANUAL

Please read this manual carefully before using, and keep it for future reference.



# CONTENTS

---

General Safety	4
Product Overview	7
Installation	8
Cleaning and Maintenance	15
FAQs	16
Specifications	17
Customer Helpline	20

---

# GENERAL SAFETY

## IMPORTANT INFORMATION

Read this manual thoroughly before you start using the Ceramic Cooktop.

The safety precautions instructions reduces the risk of fire, electric shock and injury when correctly complied to.

Please follow all instructions and take notice of all warnings.

## WARNING!

- **INSTALLATION:** This Cooktop must be installed by a licenced electrician.
- Make sure to have this appliance connected to a well place earth wiring system, before carrying out any work, repairs or maintenance on this appliance, it has to be disconnected from the mains. If possible switch of the cooktop from the wall before cleaning, failure to do so may result in electric shock or death.
- During use be sure to avoid any direct contact with the surface as you may get burned. Always be careful while using this appliance. Do not touch any components of the cooktop as it will be hot and it is highly recommended that you use cooktop gloves when handling cookware.
- Do not leave any items on the cooktop as this is a fire hazard. In the case of a fire do not use a fire extinguisher with water, Highly recommended that you switch off the cooktop and cover the flames with a fire blanket.

# GENERAL SAFETY INSTRUCTIONS (Cont.)

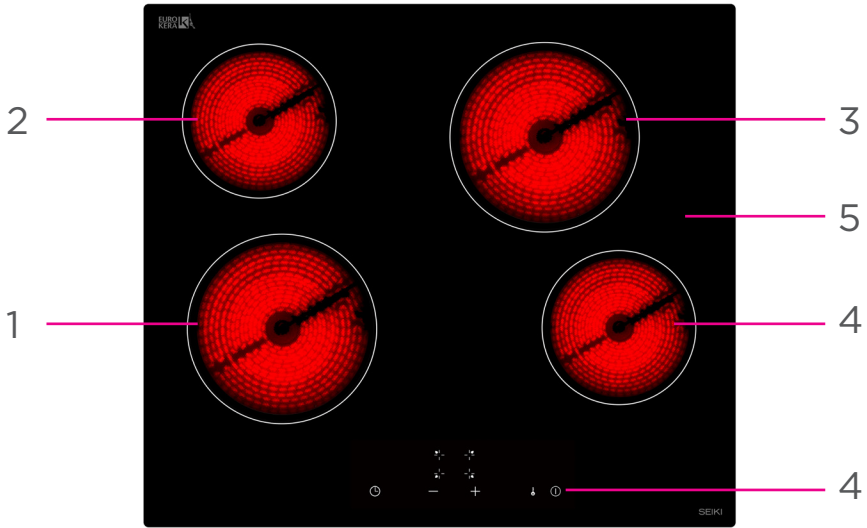
## **USAGE CONDITIONS AND RESTRICTIONS**

- Supervision over children is to ensure that they do not play with the appliance. Never allow them to use, play with or crawl inside the appliance. Cleaning and maintenance must not be done by children.
- This appliance is not to be used by persons (including children) with reduced physical, sensory or mental capabilities, or lack of experience and knowledge, unless they are being supervised or been given instructions on how to use of the appliance in a safe way and understand the hazards with using this appliance incorrectly.
- Make sure to read all rules and regulations in this manual. Anyone who is not familiar with this appliance are not to operate it. These instructions do not cover every possible situation or condition as with any appliance. Use extreme caution when installing, operating and maintaining this appliance.
- Never leave the cooktop unattended while in use.
- Only for indoor domestic use only. It is not to be used for industrial or commercial use.
- Do not use this product for anything other than its intended purpose, and only use it as described in this manual. Do not attempt to alter or modify this appliance.
- This appliance can become extremely hot and therefore children and pets are to be kept away. If younger family members are in the kitchen, be sure to keep close supervision at all times. Do not allow children to operate or play with this appliance.
- Do not use the cooktop for heating up the area.
- Make sure you do not use the appliance if any part has been damaged. It must only be repaired by a qualified technician. An incorrect repair could expose you to risk of electric shock, fire or injury. If you continue to use the product in such a condition it could cause a fire or electrocution. Call our customer support on 1300 296 699.
- The appliance is not intended to be operated by means of an external timer or separate remote control system.
- Do not store items on the cooking surfaces
- Caution: The cooking process has to be supervised, A short term cooking process has to be supervised continuously.
- Warning: Unattended cooking on a hob with fat or oil can be dangerous and may result in a fire.

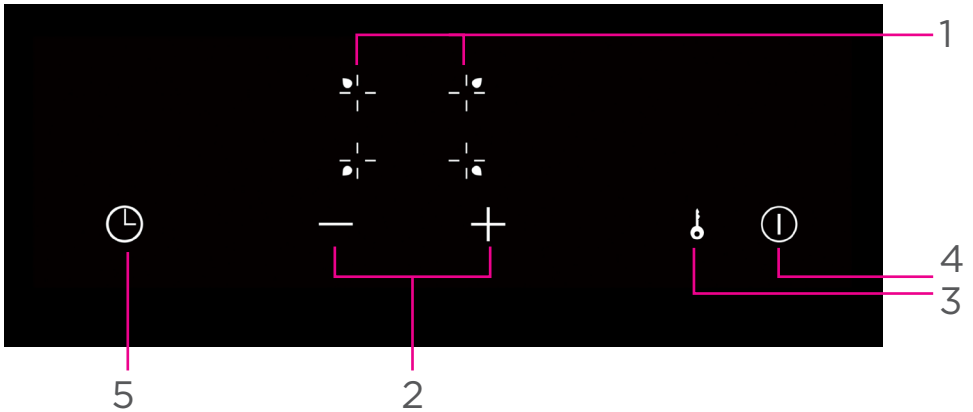
# GENERAL SAFETY INSTRUCTIONS (Cont.)

- Do not use any unstable or plastic cookware products or aluminium foil containers. No large cookware are to overlap bench as this can deflect heat back onto the cooktop and damage the surface. Cookware products can become hot while in use with this appliance. Be sure to position handles away from reach of children.
- Make sure not to switch on hotplate without anything on it, do not use cooktop to warm up plates.
- Do not place anything heavier than 20kgs on the cooktop.
- Checking constantly when frying food to ensure that oil is not overheating and becomes a fire hazard. Do not overfill deep dry pans with oil (more than one third) and be sure not to leave unattended.
- Make sure to switch off all control when not in use and allow surface to cool before cleaning.
- Disconnect the appliance from the mains before cleaning, if its accessible. Do not cover the appliance or power cord in any water or other liquids. Do not use any steam cleaning products for the cleaning of this appliance.
- Do not disconnect the appliance with wet hands, Grip end of plug, do not pull cord to disconnect.
- Do not use appliance if there is a technical fault. All faults must be fixed by a qualified/authorised person. Contact customer support on 1300 296 699.
- Incorrect use can result in property damage, injury or death. We assume no liability for misuse of the appliance or noncompliance with these instructions.
- **WARNING!** If the surface cracks, switch of the appliance immediately to avoid the possibility of electric shock and call our customer support.
- Be careful when using this cooktop, as the cooktop complies with all safety regulations, we do not wish for customers to burn themselves as the surface will become extremely hot during use and will retain heat after use. Please remember to let the cooktop cooldown before attempting to clean.
- Young children should be kept away from this appliance at all times! Take extreme caution when using the appliance that they do not come anywhere near the cooktop.
- Do not leave any items ontop of the cooktop as this can become a fire hazard.
- This appliance is not intended to be operated by means of an external timer or separated remote control system.

# PRODUCT OVERVIEW



- |   |                 |   |                 |
|---|-----------------|---|-----------------|
| 1 | Max. 1800W zone | 4 | Max. 1200W zone |
| 2 | Max. 1200W zone | 5 | Glass Plate     |
| 3 | Max. 1800W zone | 6 | Control Panel   |



- |   |                        |   |                |
|---|------------------------|---|----------------|
| 1 | Heating Zone Selection | 4 | On/Off Control |
| 2 | Power Regulation       | 5 | Timer Control  |
| 3 | Keylock                |   |                |

# INSTALLATION

Before installing your appliance, read all safety instructions in this manual, especially the sections on electrical safety and installation.

## UNPACKING

- When unpacking the appliance, be sure to keep all the packaging materials until you have made sure your new appliance is undamaged and in good working order. This product has been packaging to protect itself against transportation.
- Be sure to remove all packaging materials around the appliance and that the plastic film used is also removed.
- **CAUTION:** Plastic wrapping can be a suffocation hazard for babies and young children. Make sure all packaging materials are out of reach for children and that they are disposed of correctly.

## WARNING!

**THE INSTALLATION OF THIS PRODUCT CAN ONLY EVER BE INSTALLED BY A LICENCED ELECTRICIAN AND FOLLOWING ALL INSTRUCTIONS IN THIS MANUAL. IT IS IN YOUR BEST INTEREST OF YOUR SAFETY TO FOLLOW THIS COMPLIANCE.**

- Make sure you do not try to install this appliance yourself, doing will expose you to danger and void the warranty. Incorrect installation, adjustment, alteration or service can cause injury or damage. We do not assume responsibility for injury or damage to a person or persons or property as a result of incorrect use or installation.
- Any adjustments, conversions or maintenance of this product can only be carried out by a qualified/authorised service representative. The safety and adjustment devices on the appliance may only be modified by an authorised service representative.



# INSTALLATION (Cont.)

## **IMPORTANT ADVICE**

- The appliance must only ever be located and installed in a kitchen and not any other room.
- Where you want to place the Cooktop, the wall and bench around the appliance must be able to sustain temperatures of 95°C. Laminates, surface materials and fixing adhesives must be certified that it can sustain the temperatures. Do not install the cooktop near curtains or flammable materials. We assume no liability for any damage caused by this appliance if not installed correctly as advised.
- Fire resistant surroundings (ceramic tiles for example) are required above the cooktop of up to 450mm. Walls must be at least 200mm away from the burner. There must be no overhanging surfaces, Rangehoods or exhaust systems must not be within 750mm above the gas cooktop.

## **VENTILATION REQUIREMENTS**

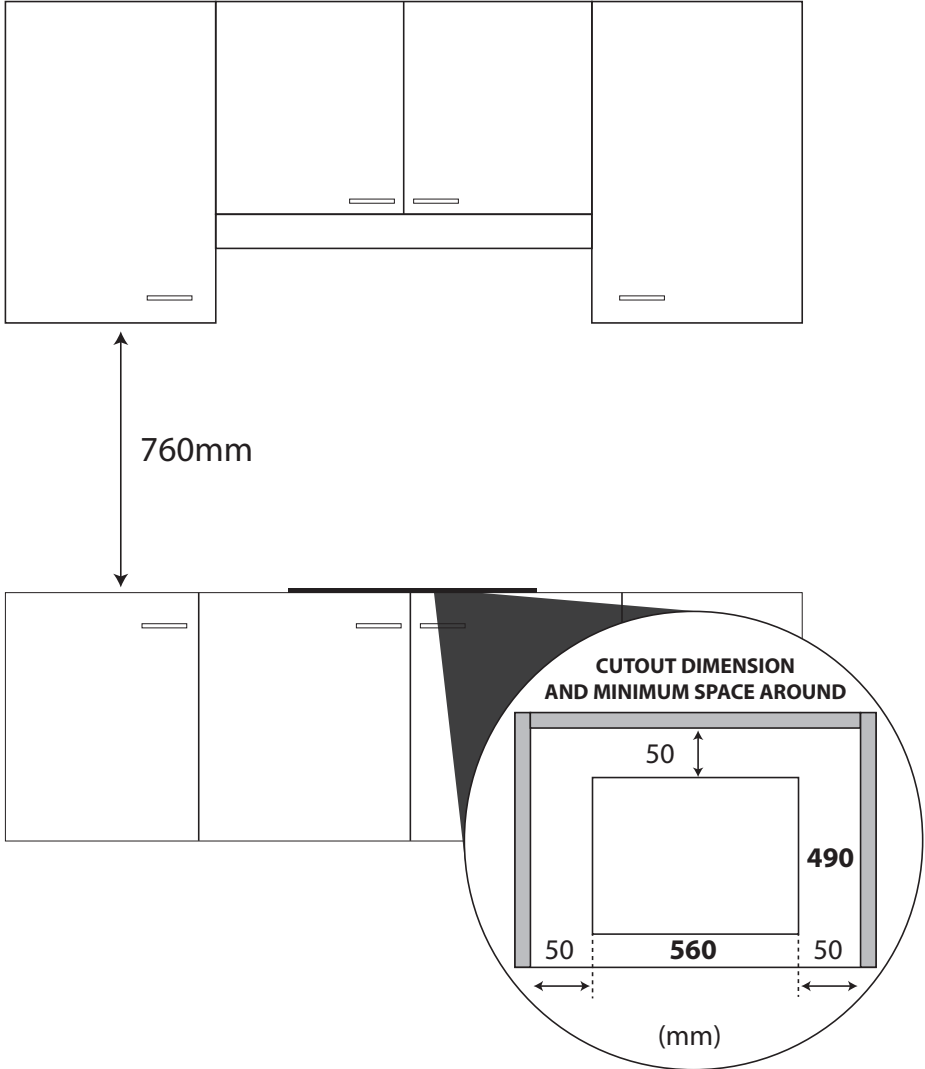
This Cooktop is to only be used in kitchens that have plenty of ventilation. Using a Cooktop appliance produces heat and moisture in the kitchen in which it is installed. Always make sure there is plenty of ventilation and keep natural ventilation holes open or install a mechanical extractor hood.

For an extended intensive use of this appliance you will require additional ventilation such as opening windows or raising the level of suction from a mechanical extractor hood.

# INSTALLATION (Cont.)

## COOKTOP PREPERATION

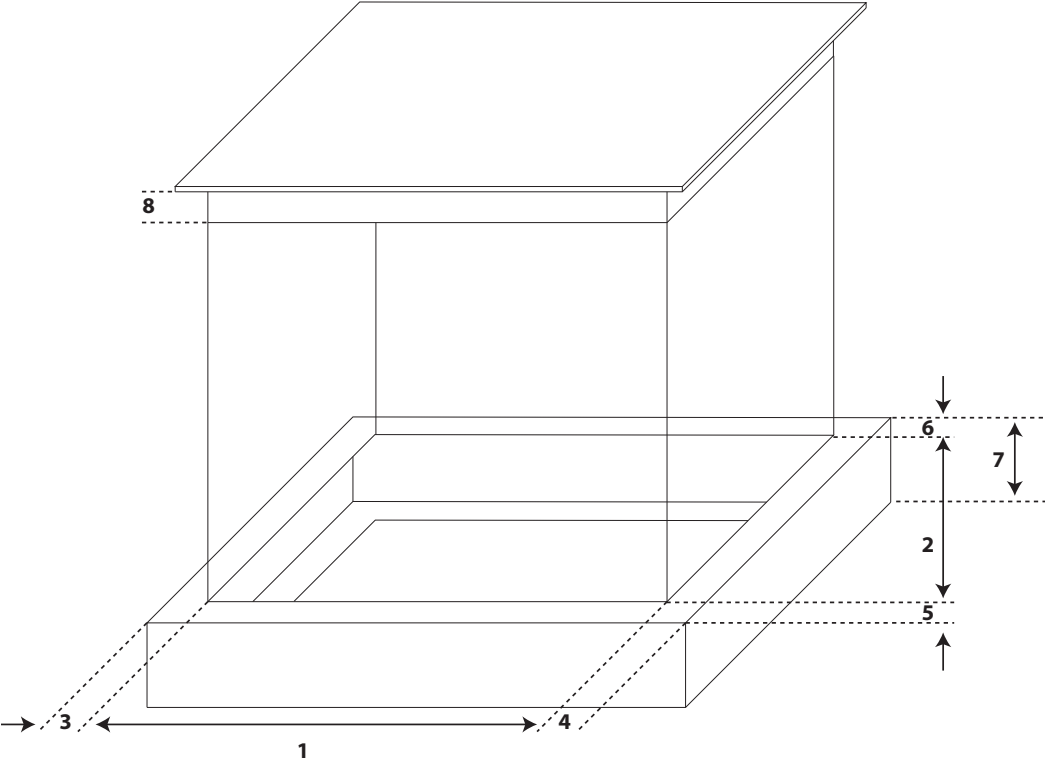
- Make sure there is plenty of ventilation and control elements are easily accessible.
- The cooktop can be fitted to benchtops of 40-50mm
- For rangehood installation above the appliance, check the rangehood instructions for required clearances before installation of the product.
- Minimum distances for height clearances:



# INSTALLATION (Cont.)

## INSTALLING COOKTOP IN YOUR BENCH

- Measurements for fitting and cutout of the appliance are as below.



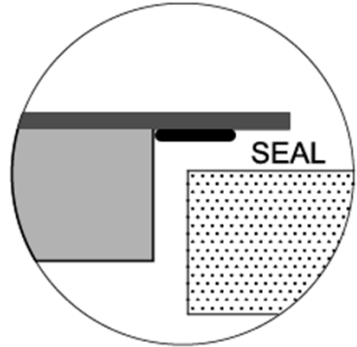
- |                   |                                     |
|-------------------|-------------------------------------|
| 1. 560 mm (width) | 5. 50 mm                            |
| 2. 490 mm (depth) | 6. 50 mm                            |
| 3. 50 mm          | 7. 50 mm (space underneath cooktop) |
| 4. 50 mm          | 8. 51 mm                            |

# INSTALLATION (Cont.)

## APPLYING SEAL

The Ceramic Cooktop has a special seal which prevents liquid from infiltrating into the cabinet. Be sure to strictly follow these instructions in order to correctly apply this sealing tape before inserting the Cooktop into the benchtop.

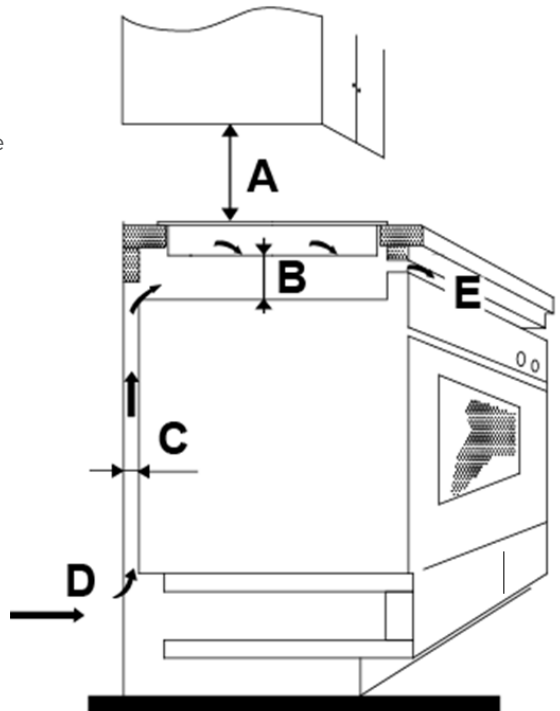
- Carefully place it upside down to not glass surface of the cooktop. (use packaging)
- Remove the backstrip of the sealing tape.
- Make sure when applying the sealing tape to correctly position it on the outer edge of the cooktop. The ends must fit together without overlapping.
- Once evenly and securely fixing the seal to the cooktop, press it firmly in place.
- Do not use a silicon sealant or sealands of any types to seal the appliance against the benchtop when placing it. The cooktop may need to be removed for future needs such as servicing or repairs.



## SPACING UNDERNEATH COOKTOP

If placing an oven directly underneath the cooktop, please allow the following measurements of spacing to allow proper ventilation for the ceramic cooktop.

- A 760mm
- B 50mm (minimum)
- C 20mm (minimum)
- D Air Intake
- E Air Exit (5mm)

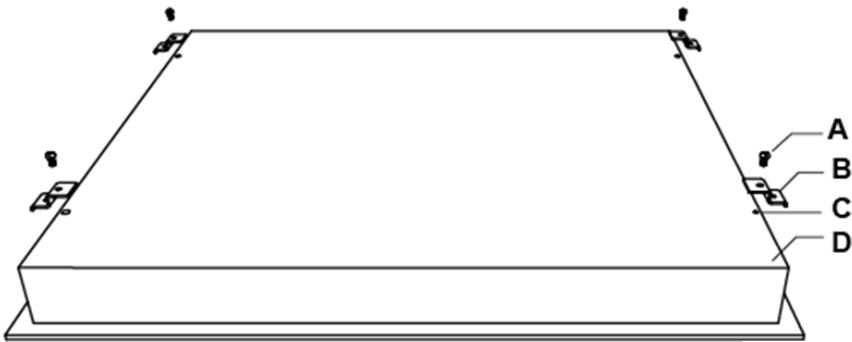


# INSTALLATION (Cont.)

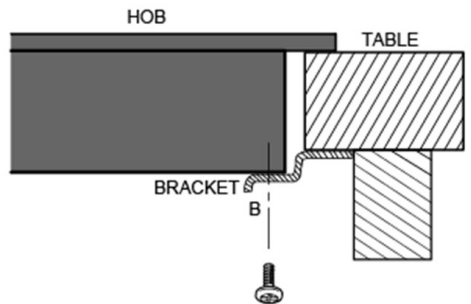
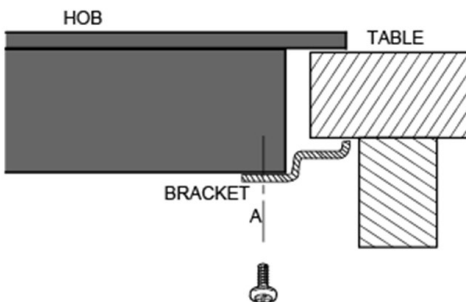
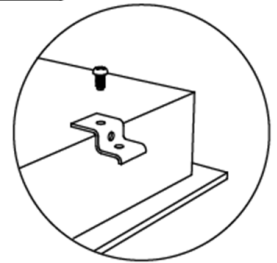
## INSTALLING AND MOUNTING THE COOKTOP

Once you have installed the seal underneath the cooktop carefully turn it back to the right side up and lower it gently into the cutout in your benchtop. Press the side down gently so that the cooktop is resting firmly on the benchtop surface.

- Now that the Cooktop is in place, secure it with the mounting brackets supplied. (see below drawing) There are four slots on each corner underneath the cooktop where you can fix the brackets.
- Make sure when fixing the brackets that you also fix in the screw (V) provided to help hold the cooktop in place.



- A Screw
- B Bracket
- C Screw Hole
- D Base



- A Position the mounting bracket tip facing up if benchtop is thinner than B.
- B Position the mounting bracket tip facing down if benchtop is thick.

# INSTALLATION (Cont.)

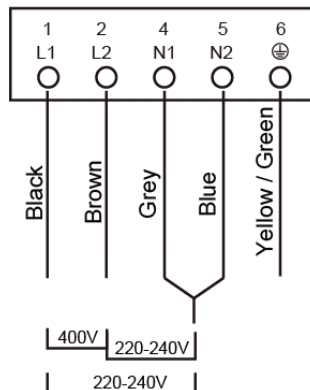
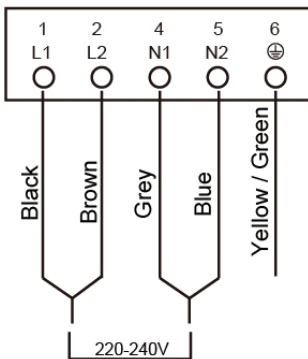
## WARNING!

**SURFACE TEMPERATURES OF BASE EXCEED 95°C, UNDER BENCH ACCESS MUST BE RESTRICTED BY USE OF NON-COMBUSTIBLE BARRIER ON INSTALLATION**

- The barrier must be >50mm from the base of the cooktop.
- The barrier must leave a ventilation gap of 30-70mm but not greater than 70mm.

### ELECTRICAL CONNECTION

- Follow the wiring format label located on at the connection terminal.
- The power outlet must be correctly earthed and easily accessible.  
The outlet voltage and frequency must correspond to the voltage indicated on the appliance rating label.
- All electrical work is to be carried out by a qualified/licenced electrician.
- Means for disconnection must be incorporated in the fixed wiring in accordance with the wiring rules.
- Ensure that the rating label is visible after installation.



# OTHER USEFUL INFORMATION

## CLEANING AND MAINTENANCE

### **CAUTION!**

- **Before cleaning any part of the Cooktop, be sure to have all controls are switched off and the cooktop has cooled sufficiently.**
- **Make sure once all cooking zones are switched off that the cooktop surface is cool before you commence cleaning.**
- **Do not use harsh cleaning products such as scouring powders, wire brushes or sharp objects that can damage and scratch the cooktop surface.**

To make sure food safety and to keep the cooktop in good working condition, please clean the appliance regularly every time you finish using it.

- Make sure to wipe the Ceramic glass cooktop surface with a lightly dampened cloth or sponge.
- After cleaning make sure to dry the surface with a clean, dry cloth.

## SERVICE/REPAIR

### **CAUTION!**

- **The Cooktop must ONLY be serviced by authorised personnel.**
- **If the Cooktop isn't operating as it should be, please contact our customer support on 1300 296 699. DO NOT ATTEMPT TO REPAIR THE APPLIANCE YOURSELF**
- **To keep the Cooktop in proper working order, make sure to have an authorised technician come and maintain/check the appliance on a regular basis.**

# FAQS

If experiencing issues with your cooktop and isn't operating correctly please check the following pages for solutions to the problems. If none of the solutions offered help solve the problem with your appliance then please contact our call centre on 1300 296 699.

**DO NOT ATTEMPT TO REPAIR THE APPLIANCE YOURSELF.**

Problem	Solution
The Cooktop isnt turning on	<ul style="list-style-type: none"><li>• Make sure the cooktop is connected to the power supply and that its switched on.</li></ul>
The touch control are unresponsive	<ul style="list-style-type: none"><li>• Unlock the controls by pressing the "Lock" symbol on the touch control panel.</li></ul>
Touch controls arent operating correctly	<ul style="list-style-type: none"><li>• Make sure to only use the tip of your finger when touching the controls.</li></ul>
The glass is being scratched	<ul style="list-style-type: none"><li>• Make sure you use only cookware with a complete flat surface, cookware with warped bases can scratch the ceramic glass over time.</li></ul>
Cookware making crackling or clicking noises	<ul style="list-style-type: none"><li>• This may be caused by the construction of your cookware (layers of different metals). This is normal and does not indicate a fault with your cooktop.</li></ul>



# SPECIFICATIONS

<b>Power Supply</b>	220-240V ~ 50/60Hz
<b>Cooking Zones</b>	4 Zones
<b>Installed Electric Power</b>	6000W
<b>Product Size</b>	590 (w) x 520 (d) x 55 (h) mm
<b>Cutout Dimensions</b>	560 (w) x 490 (d) mm





# SEIKI™

**CUSTOMER HELPLINE:**

[info@ayonz.com](mailto:info@ayonz.com)

**DISTRIBUTED BY:**

Ayonz Pty Ltd