

SEIKI™

10KG FRONT LOAD WASHING MACHINE



INSTRUCTION MANUAL

MODEL: SC-1000AU9FLIN

Please read this manual carefully before using, and keep it for future reference.

CONTENTS

General Safety	4
Product Overview	8
Operations	10
Getting Started	14
Instructions	18
Cleaning and Maintenance	20
FAQs	22
Specifications	23

GENERAL SAFETY

IMPORTANT INFORMATION

Read this manual thoroughly before you start using the Washing Machine.

The safety precautions instructions reduces the risk of fire, electric shock and injury when correctly complied to.

Please follow all instructions and take notice of all warnings.

Pay close attention to messages that follow this safety alert symbol or the words **DANGER**, **WARNING** or **CAUTION**. These words will be used to alert you of potential hazards that and injure you and others. Following these instruction will tell you how to reduce the chance of injury and the possible dangers if instructions aren't followed.



WARNING

This symbol indicates when there is a serious risk of injury if you do not pay attention to the warnings.



CAUTION

This symbol indicates when to be careful to avoid a serious risk of injury to oneself or damage to property.

GENERAL SAFETY INSTRUCTIONS (Cont.)

ELECTRICAL SAFETY

- **Voltage:** Plug the appliance to a 220-240V, 50Hz, properly earthed power outlet, it must be in good working order.
- **Power connection:** Do not use an adaptor or an extension cord. Plug the power plug directly into a separate power point that cannot be accidentally turned off, and that is easily accessible so you can switch it off if needed.
- **Power cord:** Do not kink or damage the power supply cord. Make sure it is behind the appliance so no one can step on or place anything on the power supply cord or against it. A damaged power plug may overheat and cause a fire.
- **Damaged cord:** Do not use a cord that shows cracks or damage. Any damage to the cord may cause a short circuit, fire and/or electric shock. Contact our support centre on 1300 296 699 for advice
- **Disconnection:** Never pull the power cord to unplug appliance. Grip the plug and pull straight out from the power point.
- **Electrical work:** If the installation of this appliance requires any electrical work, make sure it is carried out by an electrician.

To reduce risk of fire, electric shock or injury, always follow these basic precautions and accident prevention measures when using this appliance, including the below:

NOTE: This appliance should be installed by an authorised technician else warranty will be void.

INSTALLATION

- The product is heavy, be careful when moving it. To avoid back or other injury, have 2 people lift or mechanical aid when installing.
- When unboxing, thoroughly inspect the appliance carefully for any damage. If there is any damage, do not install the appliance. Contact our support centre on 1300 296 699 for advice.
- While installing the appliance make sure that the power cord is not bent or flattened.
- Make sure to remove all packaging materials such as foams and tapes before installing the appliance.
- Make sure if the machine is to be placed on carpet that the ventilation openings in the base are not obstructed
- Install the washing machine on a flat level and stable ground.

GENERAL SAFETY INSTRUCTIONS (Cont.)

USAGE CONDITIONS AND RESTRICTIONS

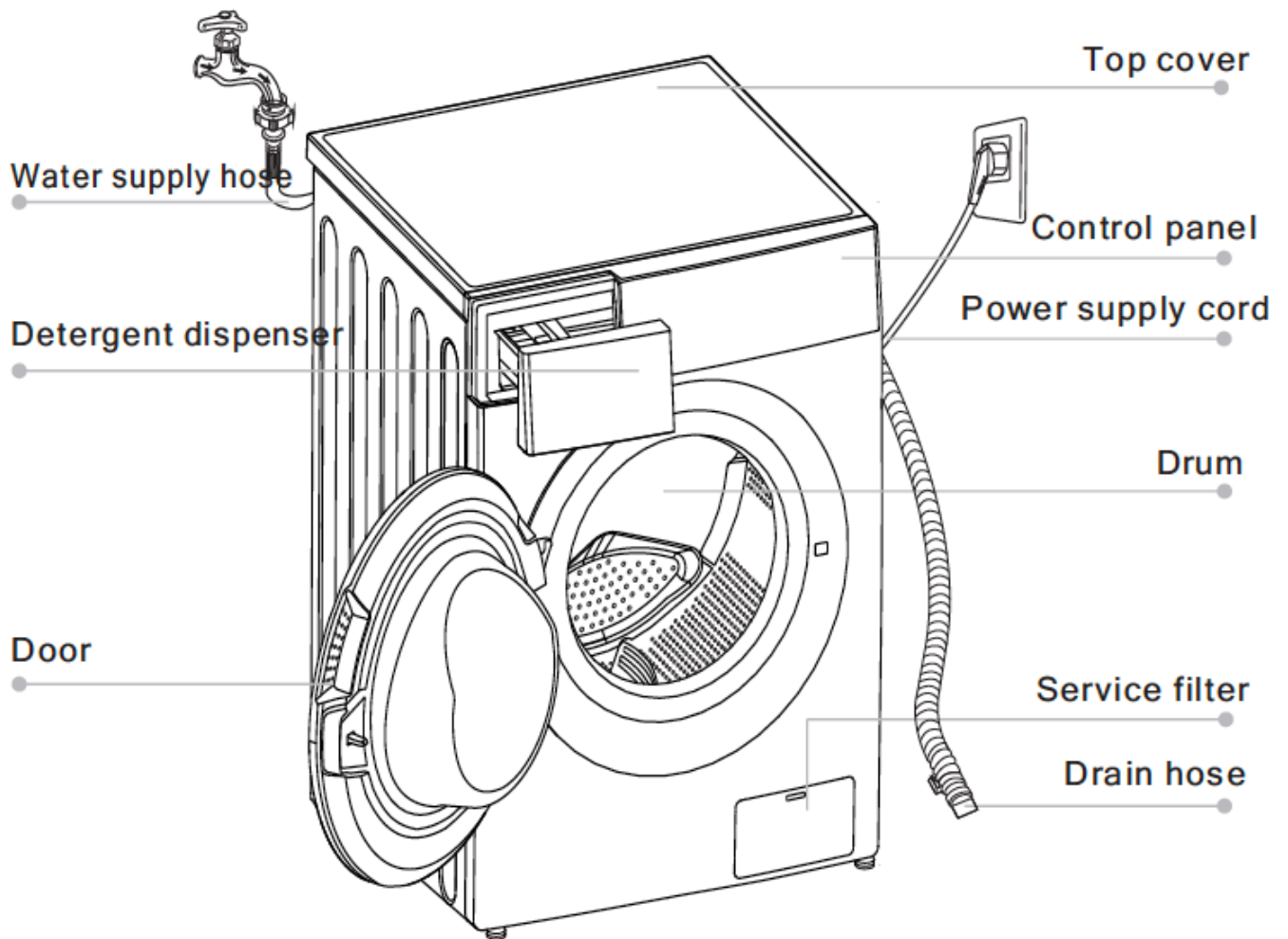
- Supervision over children is to ensure that they do not play with the appliance. Never allow them to use, play with or crawl inside the appliance. Cleaning and maintenance must not be done by children.
- This appliance is not to be used by persons (including children) with reduced physical, sensory or mental capabilities, or lack of experience and knowledge, unless they are being supervised or been given instructions on how to use of the appliance in a safe way and understand the hazards with using this appliance incorrectly.
- Only for indoor domestic use only. It is not to be used for industrial or commercial use.
- Do not use this product for anything other than its intended purpose, and only use it as described in this manual. Do not attempt to alter or modify this appliance.
- In the process of a hot wash, the door window can become hot. Make sure not to touch it or that no children or pets come into contact with the door window.
- Ensure that emptying all pockets of every item to make sure that there is no hard, sharp objects such as coins, safety pins, bra wires, nails or screws can cause damage to the appliance and has a chance to block the pump.
- Damage or malfunction caused from foreign objects is not covered by your warranty to the appliance.
- Do not operate this appliance outdoors.
- Incorrect use can result in property damage, injury or death. We assume no liability for misuse of the appliance or noncompliance with these instructions.

GENERAL SAFETY INSTRUCTIONS (Cont.)

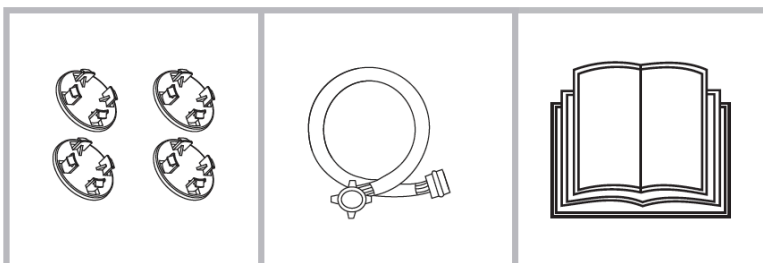
CLEANING AND MAINTENANCE

- Before cleaning or maintenance, always unplug the appliance from the power socket. Make sure you pull by the plug, not the cord as this can damage the power cord and cause a hazard.
- Only the filter requires regular cleaning, everything else is non user-serviceable parts. Do not try to repair, disassemble or modify the appliance.
- Check and clean the lint filter on a regular basis
- **Service:** Never try to repair, modify or replace any part of the appliance, unless this manual says you can do so. All other servicing is to be done by a qualified technician, or contact our support centre on 1300 296 699 for advice.

PRODUCT OVERVIEW



Accessories



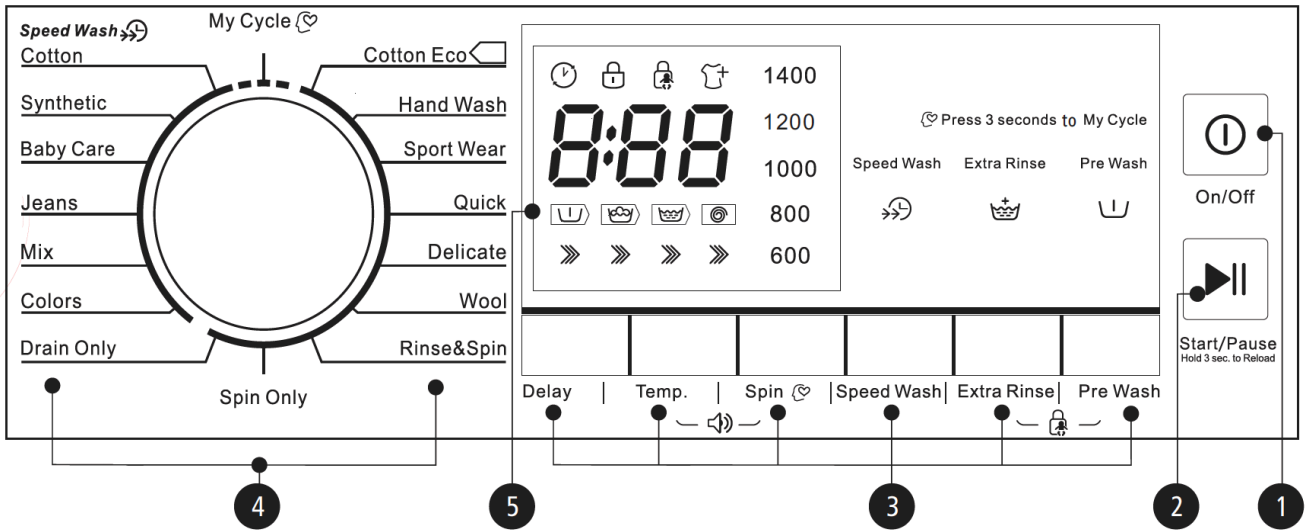
Transport hole plug

Supply hose cold water

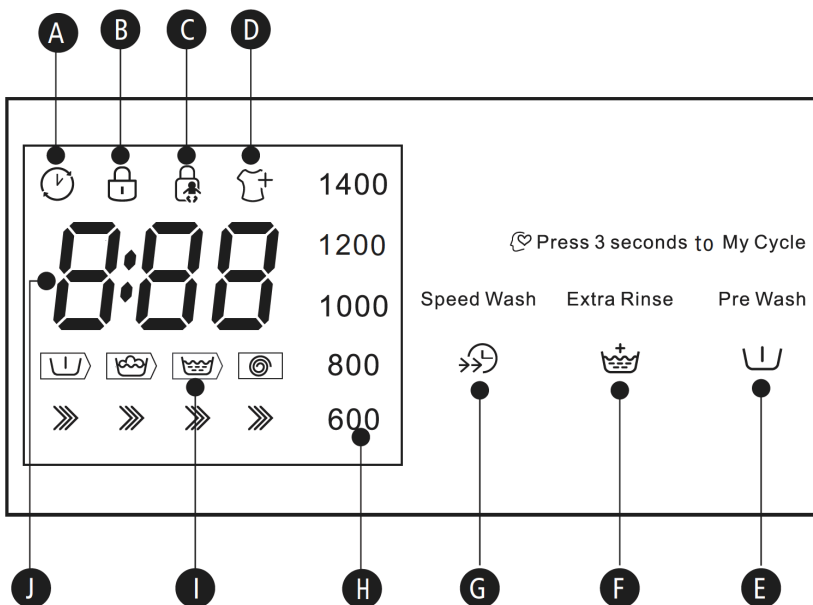
Owner's manual

PRODUCT OVERVIEW (Cont.)

CONTROL PANEL



- ON/OFF:** ON/OFF button allows you to turn the appliance off or on.
- START/PAUSE:** Press this button to start or pause the washing cycle.
- OPTION:** This will allow you to select an additional function and will light when selected.
CHILD SAFETY LOCK: Press and hold “Extra Rinse” & “Pre Wash” for 3 seconds to activate child safety lock. Press and hold both buttons again to de-activate.
- PROGRAM:** Use this to select what type of wash program you would like to select.
- DISPLAY:** This display shows the settings, time remaining, options and status messages for your washer. The display will remain on through the cycle.



A Delay	B Door Lock
C Child Lock	D Reload
E Pre Wash	F Extra Rinse
G Speed Wash	H Spin Speed
I Rate Of Progress(Pre wash- Wash-Rinse-Spin)	
J Wash Time 1:25	Delay Time 2h
Speed 1000	Error E20
	End End

OPERATION



PRE-WASH

The Prewash function can get an extra wash before the main wash, it is suitable for washing the dust rises to surface off the clothes. You need to put detergent into the case when you select “Prewash”.



EXTRA RINSE

The laundry will undergo an extra rinse once you select it.



SPEED WASH

This function can decrease the washing time.



MY CYCLE

Save your most frequently used washing cycle as a favourite.

To do this:

1. Press and hold Spin/Speed Wash/Temp for 3 seconds while your desired cycle is in progress.
2. When starting a load of washing, press “My Wash” then “Start/Pause” to begin.

NOTE: The default “My Cycle” program is “Cotton”



DELAY

Set the delay function:

1. Select a program
2. Press the Delay button to choose the time (up to 24hours)
3. Press (Start/Pause) to commence the delay operation.

Cancel the delay function:

Press the “Delay” button until the display is “OH” (0 hours). This must be done before the program has commenced. If program has start then you must turn the washing machine on/off to reset the program.



CHILD SAFETY LOCK: Press and hold “Extra Rinse” & “Pre Wash” for 3 seconds to activate child safety lock. Press and hold both buttons again to de-activate.

OPERATION (Cont.)

Programme	Option						Programme	Option					
	Delay	Speed wash	Extra rinse	Pre wash	Anti-crease	Extra Wash		Delay	Speed wash	Extra rinse	Pre wash	Anti-crease	Extra Wash
Cotton	<input type="radio"/>	<input type="radio"/>	<input type="radio"/>	<input type="radio"/>	<input type="radio"/>	<input type="radio"/>	Rinse&Spin	<input type="radio"/>	<input type="radio"/>	<input type="radio"/>	<input type="radio"/>	<input type="radio"/>	
Synthetic	<input type="radio"/>	<input type="radio"/>	<input type="radio"/>	<input type="radio"/>	<input type="radio"/>	<input type="radio"/>	Wool	<input type="radio"/>	<input type="radio"/>	<input type="radio"/>	<input type="radio"/>	<input type="radio"/>	
Baby Care	<input type="radio"/>	<input type="radio"/>	<input type="radio"/>	<input type="radio"/>	<input type="radio"/>	<input type="radio"/>	Delicate	<input type="radio"/>	<input type="radio"/>	<input type="radio"/>	<input type="radio"/>	<input type="radio"/>	
Jeans	<input type="radio"/>	<input type="radio"/>	<input type="radio"/>	<input type="radio"/>	<input type="radio"/>	<input type="radio"/>	Quick	<input type="radio"/>	<input type="radio"/>	<input type="radio"/>	<input type="radio"/>	<input type="radio"/>	
Mix	<input type="radio"/>	<input type="radio"/>	<input type="radio"/>	<input type="radio"/>	<input type="radio"/>	<input type="radio"/>	Sport Wear	<input type="radio"/>	<input type="radio"/>	<input type="radio"/>	<input type="radio"/>	<input type="radio"/>	
Colors	<input type="radio"/>	<input type="radio"/>	<input type="radio"/>	<input type="radio"/>	<input type="radio"/>	<input type="radio"/>	Hand Wash	<input type="radio"/>	<input type="radio"/>	<input type="radio"/>	<input type="radio"/>	<input type="radio"/>	
Drain Only	<input type="radio"/>	<input type="radio"/>	<input type="radio"/>	<input type="radio"/>	<input type="radio"/>	<input type="radio"/>	Cotton ECO	<input type="radio"/>	<input type="radio"/>	<input type="radio"/>	<input type="radio"/>	<input type="radio"/>	
Spin Only	<input type="radio"/>	<input type="radio"/>	<input type="radio"/>	<input type="radio"/>	<input type="radio"/>	<input type="radio"/>		<input type="radio"/>	<input type="radio"/>	<input type="radio"/>	<input type="radio"/>	<input type="radio"/>	

Means optional

Temp. TEMP

Press this button to regulate the temperature (Cold, 20°, 30°, 40°, 60°, 90°)

Spin. SPIN

Press the button to change the spin speed.

1400: 0-600-800-1000-1200-1400

Programme	Default Speed(rpm)	Programme	Default Speed(rpm)
	1400		1400
Cotton	800	Rinse&Spin	1000
Synthetic	800	Wool	600
Baby Care	800	Delicate	600
Jeans	800	Quick	800
Mix	800	Sport Wear	1200
Colors	1000	Hand Wash	600
Drain Only	—	Cotton ECO	1400
Spin Only	1000		

OPERATION (Cont.)

PROGRAMS

Cotton	Hard-wearing textiles, heat-resistant textiles made of cotton or linen.
Synthetic	Wash synthetic articles, for example: shirts, coats, blending. While washing the knitting textiles, detergent quantity shall be reduced due to its loose string construction and easily forming bubbles.
Baby Care	Washing the baby's clothes, it can make the baby's wear cleaner and make the rinse performance better to protect the baby skin.
Jeans	Specially for jeans.
Mix	Mixed load consisting of textiles made of cotton and synthetics.
Colors	Washing brightly colored clothes, it can protect the colors better.
Cotton Eco	To increase the washing effects, washing time is increased.
Hand Wash	As for few light dirty clothes, the default temperature of washing is cold.
Sport Wear	Washing the activewear.
Quick(Quick15')	Extra short programme approx, suitable for lightly soiled washing as a small amounts of laundry.
Delicate	For delicate, washable textiles, e.g. made of silk, satin, synthetic fibres or blended fabrics.
Wool	Hand or machine-washable wool or richwool textiles. Especially gentle wash programme to prevent shrinkage, longer programme pauses (textiles rest in wash liquor).
Spin Only	Extra spin with selectable spin speed.
Rinse&Spin	Extra rinse with spin.
Drain Only	Drain off the water.

OPERATION (Cont.)

WASHING PROGRAM TABLE

Programme	Load(kg)	Temp.(°C)	Default Time
	10.0	Default	10.0
			14:00
Cotton	10.0	40	2:40
Synthetic	4.0	40	1:40
Baby Care	10.0	30	1:20
Jeans	10.0	60	1:45
Mix	10.0	40	1:13
Colors	5.0	Cold	1:10
Drain Only	—	—	0:01
Spin Only	10.0	—	0:12
Rinse&Spin	10.0	—	0:20
Wool	2.0	40	1:17
Delicate	2.5	30	0:50
Quick	2.0	Cold	0:15
Sport Wear	5.0	40	0:45
Hand Wash	2.0	Cold	1:00
Cotton ECO*	10.0	60	4:58

*“Cotton ECO” is the washing program to which the information in the efficiency label relates, and is suitable to clean normally soiled cotton laundry and that it is the most efficient programme in terms of combined energy and water consumptions for washing that type of cotton laundry,

The actual water temperature may differ from the declared cycle temperature.

GETTING STARTED

Before installing your appliance, read all safety instructions in this manual, especially the sections on electrical safety and installation.

UNPACKING

- When unpacking the appliance, be sure to keep all the packaging materials until you have made sure your new appliance is undamaged and in good working order. Plastic can be a suffocation hazard for babies and young children, make sure the materials are out of their reach.

TRANSPORTATION

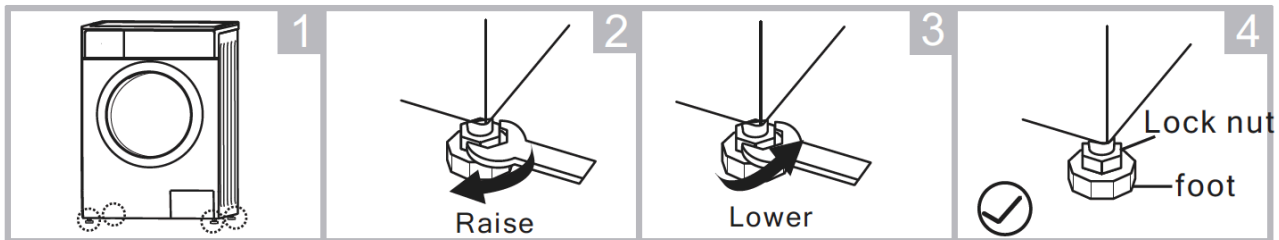
- **CAUTION: VERY HEAVY!** Be sure to team lift the appliance with someone or mechanical aid is required when moving the appliance. Keep the appliance upright as possible when moving the appliance.

GETTING STARTED (Cont.)

LEVELLING THE APPLIANCE

IMPORTANT! Make sure to level the appliance carefully with a spirit level to ensure the most accurate levelling of the appliance. This is a must if your floor is unbalanced to level the washing machine.

- Make sure to position the appliance on a level and stable ground. If the floor is uneven you can adjust the feet by twisting the feet. Make sure to slightly incline the appliance first then adjust the leveling feet by twisting it clockwise or counter clockwise depending if you are raising or lowering the feet.



- By placing a spirit level on top of the appliance you can check correctly to aid you in adjusting the feet levelling nuts to adjust the appliance to be completely level.

Note: Make sure to avoid direct sunlight onto the appliance.

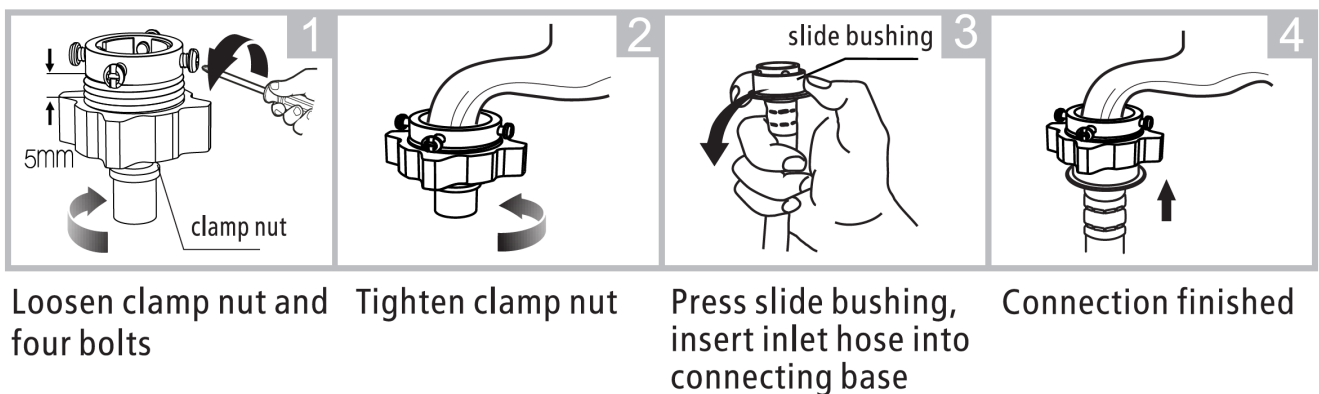
GETTING STARTED (Cont.)

CONNECTING THE WATER INLET HOSE

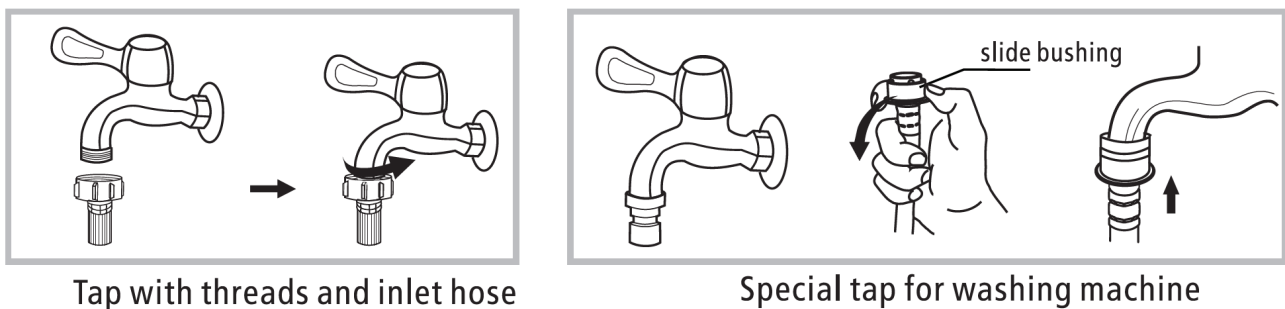
IMPORTANT! To prevent leakage or water damage please follow the below instructions. Do not kink, crush, modify or sever the water inlet hose.

- Connect the inlet pipe as indicated, there are two ways of connecting the inlet pipe.
- Minimum Inlet Water Pressure: 0.05MPa
Maximum Inlet Water Pressure: 1MPa

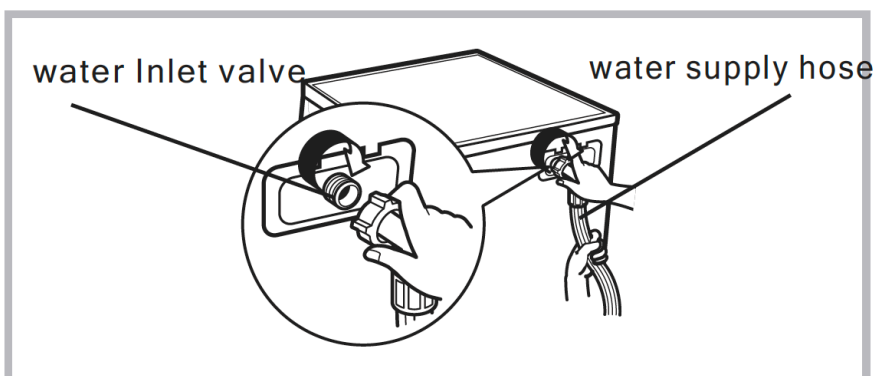
1. Connection between the Tap and inlet hose.



2. Connection between the screw tap and inlet hose.



Connect the other end of the inlet pipe to the inlet valve on the back of the appliance and fasten the pipe tightly clockwise.



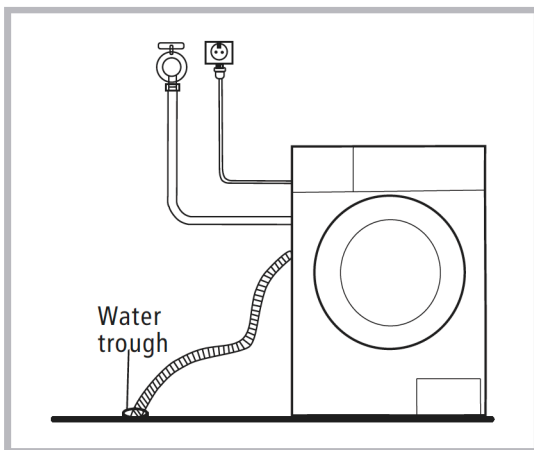
GETTING STARTED (Cont.)

CONNECTING THE DRAIN HOSE

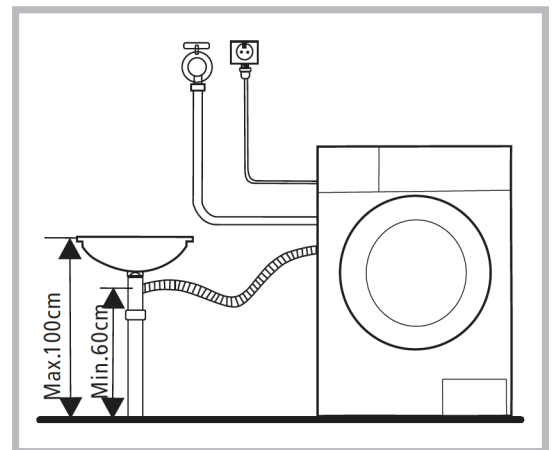
- Do not kink or protract the drain hose. Position the drain hose correctly otherwise damage will result in water leakage.
- The height of the water drain hose can be from 60 to 100cm.
- Do not bend the drain hose or place it under the washing machine.
- Be sure to only use new hose sets when connecting the Washing Machine. Do not re-use old hoses.

There are two ways to place the end of the drain hose:

1. Put it into the water trough.



2. Connect it to the branch drain pipe of the trough.



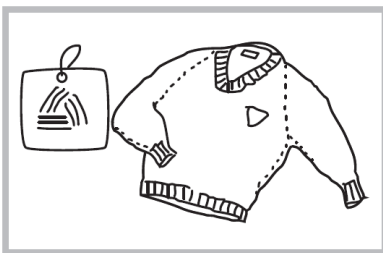
INSTRUCTIONS

BEFORE FIRST USE

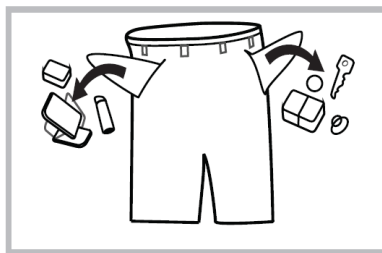
- Make sure the washing machine is completely level as to previous instructions on how to level your washing machine.
- Make sure the water inlet hose is installed correctly.
- Make sure that the washing machine is plugged into the power socket.
- When the water inlet hose is installed, turn on the water supply on the tap.

After the above steps have been completed, In a few simple steps you can select the type of wash you want and get started.

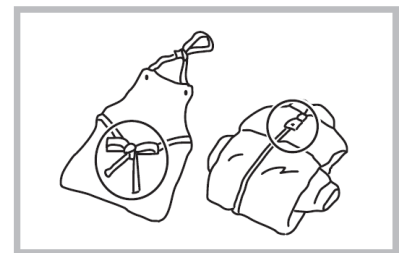
- Make sure that the appliance is in a correct working temperature (0-40 °C). If the appliance is used under 0 °C the inlet valve and draining system may be damaged.
- Make sure that all labels are checked on items if they can be washed.
- Use non-foaming or less-foaming detergents which are more suitable for washing machines to wash correctly.



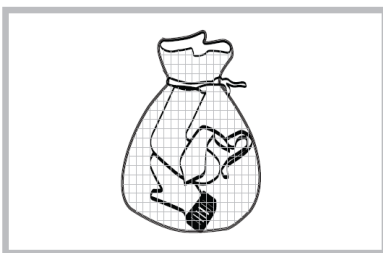
Check the label



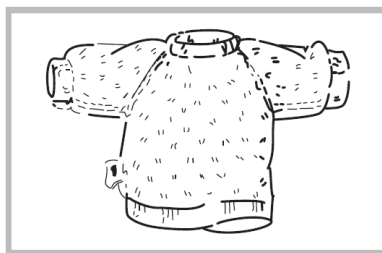
Take out the items out of the pockets



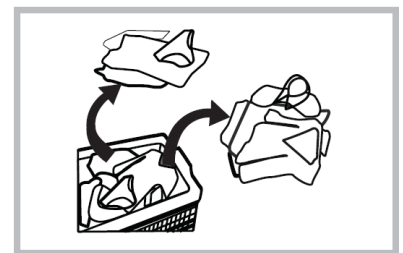
Knot the long strips, zip or button



Put small clothes into the pillow slip



Turn easy-pilling and long-pile fabric inside out



Separate clothes with different textures

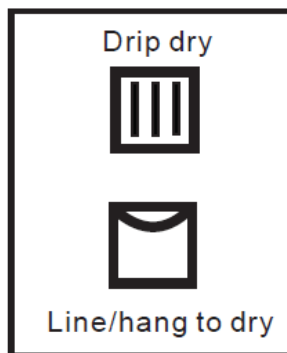
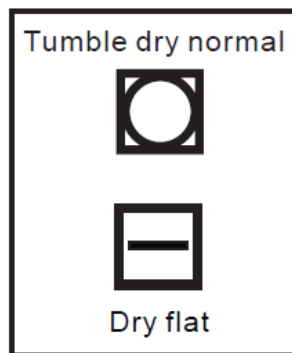
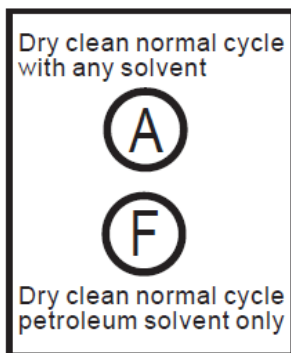
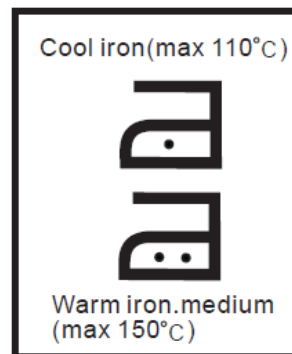
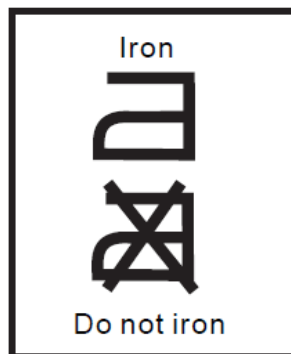
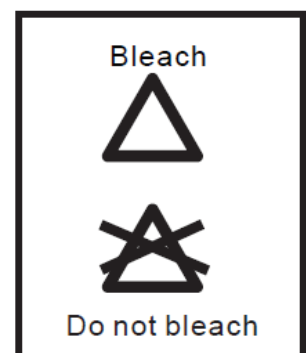
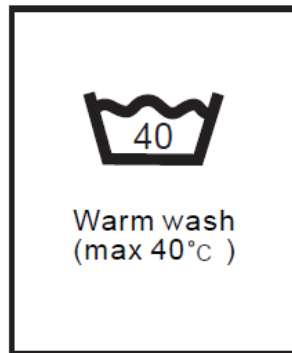
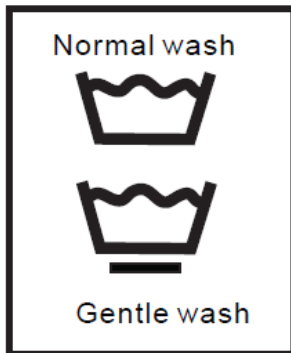
WARNING

- Never use the washing machine to wash a single item at any given time, if you need to urgently wash an item, we suggest placing a few clothing items in there.
- Make sure that all labels are checked on items if they can be washed.
- Use non-foaming or less-foaming detergents which are more suitable for washing machines to wash correctly.
- Maximum mass of dry clothes is 10kg

INSTRUCTIONS (Cont.)

WASH CARE SYMBOLS

When choosing a wash program, check for any labels on your clothes and follow the instructions. below are some commonly used symbols.



CLEANING AND MAINTENANCE

WARNING:

- Before starting maintenance, ensure that the appliance is unplugged and close the tap.

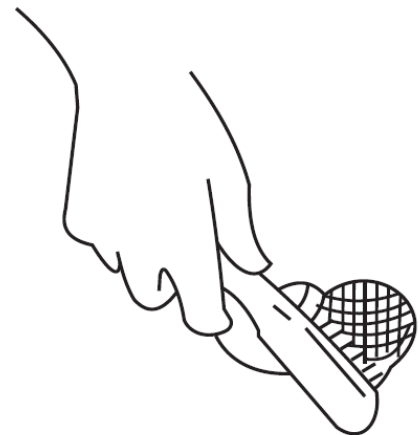
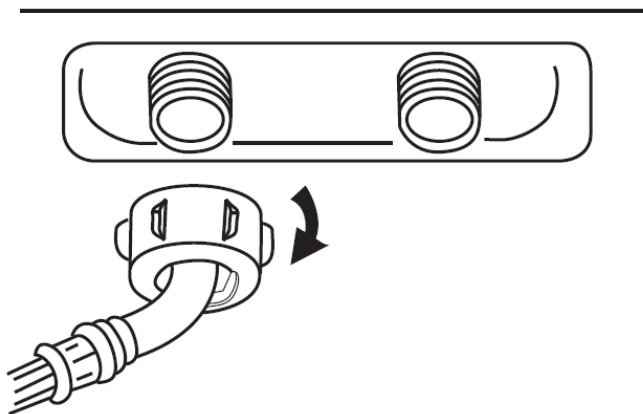
CLEANING THE CABINET

Proper maintenance on the washing machine can extend its working life. The surface can be cleaned with diluted non-abrasive neutral detergents when necessary. If there is any water overflow, use a wet cloth to wipe it off immediately. Make sure no sharp items are used to clean the appliance.

- Use a gentle cloth to wipe off the water and dirt on the surface of the washing machine after every use. Detergent, properllant and other chmicals are not allowed to be used to clean the washing machine surface as it can damage the plastic accessories.

CLEANING THE WATER INLET

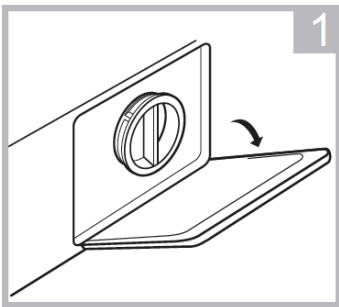
- 1 Switch on the power, followed by shutting off the tap
- 2 Let the washer work for 5 seconds so that the water flows into the tub through the hose, then turn off the power.
- 3 Unload the water inlet hose and clean the mesh bag, then re-install everything.



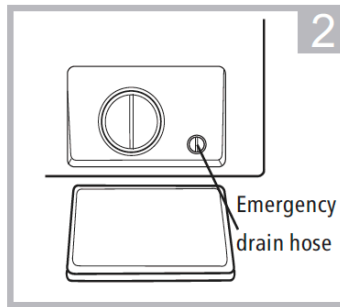
CLEANING AND MAINTENANCE (Cont.)

CLEANING THE DRAIN PUMP FILTER

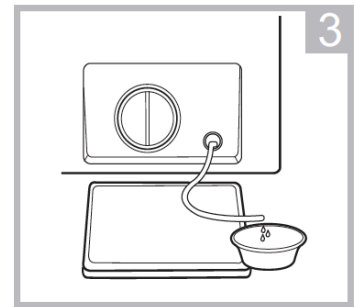
- Be careful of the hot water!
- Allow detergent solution to cool down.
- Unplug the machine to avoid electrical shock before washing.
- Drain pump filter can filter the yarns and small foreign matters from the washing.
- Clean the filter periodically to ensure the normal operation of washing machine.



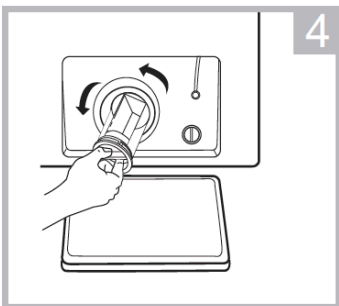
Open the lower cover cap



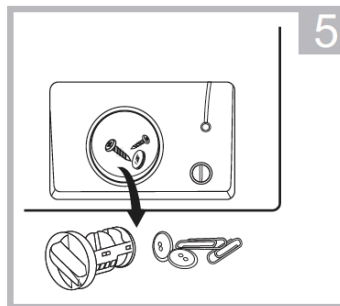
Rotate 90° and pull out the emergency drain hose, and take off the hose cap



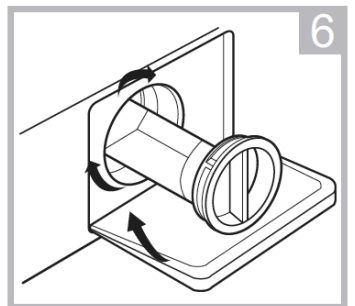
After water runs out, reset the drain hose



Open the filter by turning to the counter clockwise



Remove extraneous matter



Close the lower cover cap

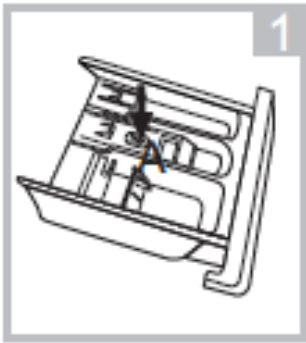
CAUTION!

- Make sure that valve cap and emergency drain hose are reinstalled properly, cap plates should be inserted aligning to hole plates otherwise water may leak.
- Some machines don't have emergency drain hose, so step 2 and step 3 can be skipped. Rotate lower cover cap directly to make water run into basin.
- When the appliance is in use and depending on the programme selected there can be hot water in the pump. Never remove the pump cover during a wash cycle, always wait until the appliance has finished the cycle, and is empty. When replacing the cover, ensure it is securely re-tightened.

CLEANING AND MAINTENANCE (Cont.)

CLEANING THE DETERGENT DISPENSER

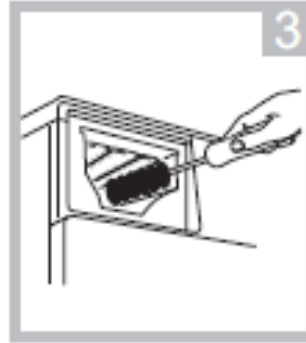
1. Press down the arrow location on the softener cover inside the dispenser drawer.
2. Lift the clip up and take out softener cover and wash all grooves with water.
3. Restore the softener cover and push the drawer into position.



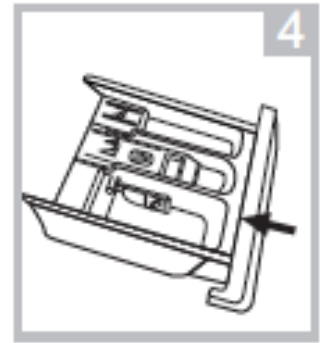
Pull out the dispenser drawer with press the A



Clean the dispenser drawer under water



Clean inside the recess with an old toothbrush



Insert the dispenser drawer

FAQs

Please be sure to contact our call centre on 1300 296 699 if you cannot identify the issue with the below information.

Description	Reason	Solution
Washing machine cannot start up	Door is not closed properly	Restart after the door is closed Check if the clothes is stuck
Door can't be opened	Washer's safety protection design is working	Disconnect the power, restart the product
Water leakage	The connection between inlet pipe or outlet hose is not tight	Check and fasten water pipes Clean up outlet hose
Detergent residues in the box	Detergent is dampened or agglomerated	Clean and wipe the detergent box
Indicator or display does not light	Disconnect the power PC board or harness has connection problem	Check if the power is shut down and the power plug is connected correctly
Abnormal noise		Check if the fixing (bolts) have been removed Check it's installed on a solid and level floor

Description	Reason	Solution
E30	Door is not closed properly	Restart after the door is closed Check if the clothes is stuck
E10	Water injecting problem while washing	Check if the water pressure is too low Straighten the water pipe Check if the inlet valve filter is blocked
E21	Overtime water draining	Check if the drain hose is blocked
E12	Water overflow	Restart the washer
EXX -	Others	Please try again first, call up service line if there are still troubles

SPECIFICATIONS

Power Supply	220-240V ~ 50Hz
Standard Water Pressure	0.05MPa-1MPa
Max Current	10A
Washing Capacity	10KG
Rated Power	1950W
Energy Consumption	3.5 stars / Per year: 487 kWh/year
WELS Water Ratings	4 Stars / Consumption: 100L per wash
	WELS Wash Program: Cotton Eco Program
Dimensions	595 x 587 x 850 mm (W x D x H)
Weight	Net: 73kg
	Gross: 78kg

SEIKI™

CUSTOMER HELPLINE:

1300 296 699

DISTRIBUTED BY:

Ayonz Pty Ltd