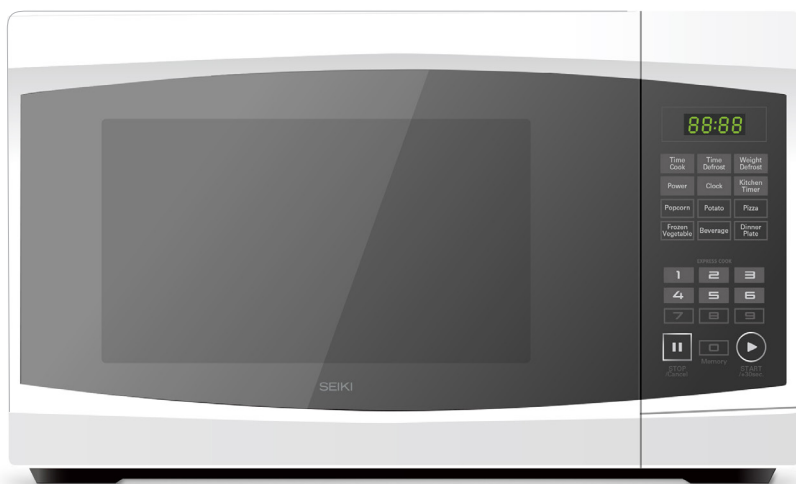


SEIKI™

30L MICROWAVE OVEN

SC-3000MV



INSTRUCTION MANUAL

Please read this manual carefully before using, and keep it for future reference.

CONTENTS

General Safety	4
Product Overview	7
Installation	8
Operation	
Power Levels	11
Clock Settings	11
Kitchen Timer	12
Microwave Cook	12
Speedy Cooking	13
Weight Defrost Function	13
Timed Defrost Function	13
Popcorn	14
Potato	14
Frozen Vegetable	14
Beverage	15
Dinner Plate	15
Pizza	15
Memory Function	16
Multi-stage Function	17
Inquiring Function	17
Lock Function for Children	17
Cleaning and Maintenance	19
FAQs	20
Specifications	21
Customer Helpline	24

GENERAL SAFETY

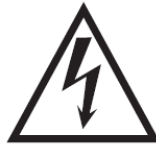
IMPORTANT INFORMATION

Read this manual thoroughly before you start using the Microwave Oven. The safety precautions instructions reduces the risk of fire, electric shock and injury when correctly complied to.

Please follow all instructions and take notice of all warnings.



The cover (or back) of the unit should not be removed to prevent risk of electric shock. This unit must be serviced by a qualified service personnel only.



The lightning flash with symbol within the triangle is intended to warn you of a non-insulated dangerous voltage in the product's enclosure that could be of sufficient magnitude to generate a risk of electric shock to persons.



The exclamation point within the triangle is intended to warn you to the presence of important operating and maintenance instructions in the documents included with the product.

IMPORTANT INFORMATION

The lightning flash symbol within the triangle is intended to warn you of non-insulated dangerous voltage the product's enclosure that could be of sufficient magnitude to generate a risk of electric shock to persons.

- Only using furniture that can safely support the Products.
- Ensure the Product is not overhanging the edge of the supporting furniture.
- Do not place the product on a high furniture without securing both the furniture and the product to a stable support.
- Do not place the product on cloth or other conductive materials.
- Warn children of the dangers of climbing on furniture to reach the television or its controls and to call for an adult to assist.

GENERAL SAFETY (Cont.)

WARNING!

INSTRUCTIONS TO AVOID EXPOSURE TO MICROWAVE ENERGY

- Do not tamper with the safety locking mechanism, and do not use the microwave oven with the door open. The door must be completely shut to prevent harmful exposure to microwave energy.
- Do not allow any object to prevent the door from closing. Also, do not allow cleaner residue or chemicals to accumulate on sealing surfaces.
- **WARNING:** If the door or door seals are damaged, do not operate the oven until it has been repaired by a authorised service personnel.
- **WARNING:** Do not attempt to repair the oven yourself. Any repair or service must only be carried out by qualified personnel. **DO NOT** remove a cover which protects against exposure to microwave energy.

INSTRUCTIONS TO AVOID FIRE INSIDE MICROWAVE

- Pay attention to the microwave oven when heating foods in plastic or paper containers as these could ignite if not Microwave Safe.
- If you detect smoke please immediately switch the off the oven, unplug it and keep the door closed in order to restrict any flames.
- Remove ALL twist ties from paper or plastic bags before placing them in the microwave oven.
- Do not leave paper products, cooking utensils, or food inside the microwave.
- Do not use the microwave for storage purposes when not in use.
- Do not use corrosive chemicals in this appliance.
- Do not use microwave when it is empty.

GENERAL SAFETY (Cont.)

ELECTRICAL SAFETY AND POWER CORD HANDLING

- Voltage: Make sure that your outlet voltage and circuit frequency correspond to the voltage stated on the appliance rating plate.
- Power outlet: Connect the appliance to a properly earthed power outlet, which must be easily accessible so that you can unplug it if necessary.
- Power cord: Do not kink or damage the power cord. Do not let it hang over the edge of a table or benchtop, and do not let it touch hot or sharp surfaces. Make sure the cord does not run under the microwave oven.
- Electrical safety: Do not insert any objects into the appliance.

WARNING!

- Protect from moisture: To reduce the risk of electrocution and other electrical hazards, do not immerse the cord or plug in water, do not spill liquids into the oven, and do not operate it with wet hands.
- Damage: Do not use this appliance if it has a damaged cord or plug, if it is not working properly, or if it has been damaged or dropped. If damaged, please contact our support centre line - 1300 296 699
- Damaged cord: If the appliance and/or its cord are damaged, it must be replaced by the manufacturer, its service agent or a similarly qualified person in order to avoid a hazard. Do not attempt to repair, disassemble, or modify the appliance. There are no user-serviceable parts inside this unit.
- Disconnection: Switch the appliance off and unplug it from the power supply after you have finished using it and before cleaning, servicing, maintenance, or moving the appliance. DO NOT pull the cord when disconnecting, grip the plug and pull it gently out of the outlet.

USAGE RESTRICTIONS AND CONDITIONS

- This appliance is intended for indoor domestic use only. It is not suitable for commercial, industrial or laboratory use.
- Do not use the appliance outdoors.
- The appliance is not intended to be operated by means of an external timer.

GENERAL SAFETY (Cont.)

- Do not use the appliance for anything other than its intended purpose. Drying of food or clothing and heating of warming pads and similar items may lead to risk of injury, ignition or fire.
- The appliance is not intended for use by persons (including children) with reduced physical, sensory or mental capabilities, or lack of experience and knowledge, unless they have been given supervision or instruction on the use of the appliance by a person responsible for their safety.
- Supervise children to ensure they do not play with the appliance. Do not allow children to clean the microwave oven or perform user maintenance.
- Maintain the oven in a clean condition to avoid deterioration, which could affect its working life and result in a hazard risk.
- We accept no liability for any eventual damages due to improper use, incorrect handling or noncompliance with these instructions.

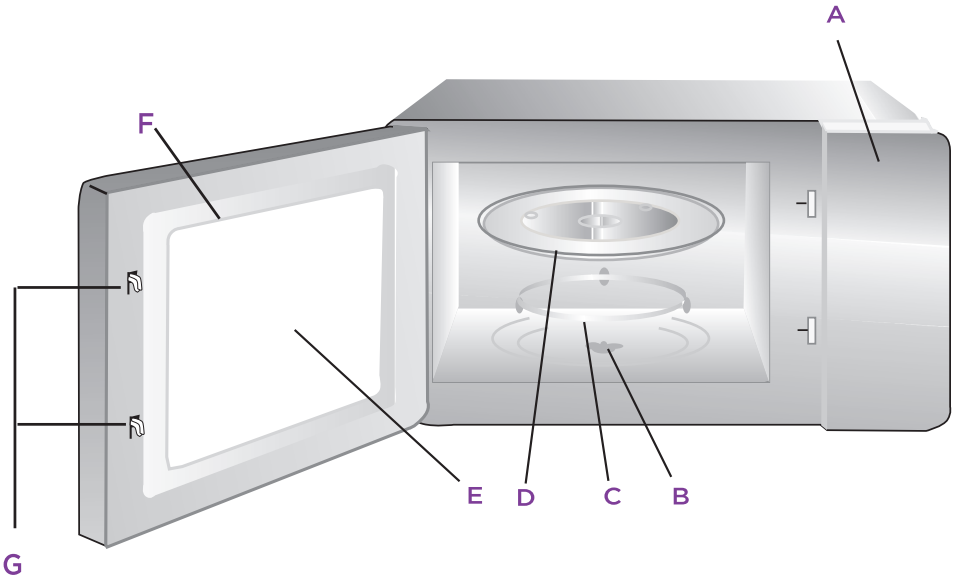
SAFE MICROWAVE OVEN COOKING

- Only use utensils that are suitable for use in a microwave oven.
- **WARNING:** Do not heat food in sealed containers as they are liable to explode.
- Take care when handling containers with hot drinks, as microwave heating of beverages can result in delayed eruptive boiling.
- **WARNING:** To avoid hot burns babies with baby food, stir or shake the contents of feeding bottles and baby food jars and always remember check the temperature before serving.
- Do not attempt to fry food in the oven, as hot oil can damage oven parts and utensils, or cause skin burns. Do not heat eggs in their shell or whole hard-boiled eggs, as they will explode, even after microwave heating has ended. Pierce foods with tough skins such as potatoes, apples, chestnuts or sausages before cooking.
- **CAUTION:** Use pot holders or oven mitts to handle cooking utensils which have become hot following a cooking process.

This appliance is intended to be used in household and similar applications such as:

- staff kitchen areas in shops, offices and other working environments;
- farm houses;
- by clients in hotels, motels and other residential environments;
- bed and breakfast type environments.

PRODUCT OVERVIEW



A - Control Panel

B - Turntable Shaft

C - Turntable Ring Assembly

D - Glass Tray

E - Observation Window

F - Door Assembly

G - Safety Interlock System

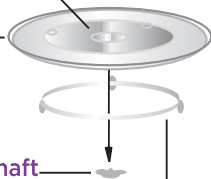
TURNTABLE INSTALLATION

Hub (underside)

Glass tray

Turntable shaft

Turntable ring assembly



- A. Never place the glass tray upside down. The glass tray should never be restricted.
- B. Both glass tray and turntable ring assembly must always be used during cooking.
- C. All food and containers of food are always place on the glass tray for cooking.
- D. If glass tray or turntable ring assembly cracks or breaks, contact our service centre on 1300 296 699.

INSTALLATION

Before installing your appliance, read all safety instructions in this manual, especially the sections on electrical safety and installation.

UNPACKING

- When unpacking the appliance, be sure to keep all the packaging materials until you have made sure your new appliance is undamaged and in good working order. This product has been packaged to protect itself against transportation.
- Be sure to remove all packaging materials around the appliance and that the plastic film used is also removed.
- **CAUTION:** Plastic wrapping can be a suffocation hazard for babies and young children. Make sure all packaging materials are out of reach for children and that they are disposed of correctly.

INSTALLATION

- Place the microwave oven on a flat, stable surface that can support the weight of the oven. Do not place the microwave oven where heat, moisture or high humidity are generated, or near combustible materials.
- The microwave oven is intended to be used freestanding and must not be placed in a cabinet.
- The microwave oven must have plenty of airflow. Allow 30cm of space above the oven, 10cm at the back and 5cm on both sides. Do not cover/block any openings on the appliance. Do not remove the feet.
- Place the support/roller ring in its position in the cavity base and the shaft in the centre. Then fit the glass tray on top of the shaft, make sure it sits in place and can move freely on the roller ring.
- Do not operate the appliance without the glass tray, roller ring and shaft in their correct positions.
- The power cord must not run under the oven or over any hot or sharp surface.
- Make sure that the power socket is easily accessible so it can be unplugged in an emergency.

INSTALLATION (Cont.)

IMPORTANT ADVICE

The plug must be connected to an appropriate outlet that is installed and earthed in accordance with local standards and requirements. If unsure, consult an electrician or a service representative. Do not, under any circumstances, cut or remove the third (grounding) prong from the power plug.

OPERATION

POWER LEVELS

The below table represents each power level.

LEVEL	POWER	DISPLAY
1	10%	PL1
2	20%	PL2
3	30%	PL3
4	40%	PL4
5	50%	PL5
6	60%	PL6
7	70%	PL7
8	80%	PL8
9	90%	PL9
10	100%	PL10

CLOCK SETTINGS

1. Press "CLOCK" - "00:00" will display.
2. Press the number keys and enter the current time.
For example: time is 12:10 now, please press "1, 2, 1, 0" in turn.
3. Press "CLOCK" to finish clock setting. ":" will flash and the clock will be illuminated.
4. If the numbers input are not within the range of 1:00--12:59, the setting will be invalid until valid numbers are input.

- Note:
- (1) In the process of clock setting, if the "STOP/CANCEL" button is pressed or if there is no operation within 1 minute, the oven will go back to the former setting automatically.
 - (2) If the clock need to be reset, please repeat step 1 to step 3.

OPERATION (Cont.)

KITCHEN TIMER

1. Press **"KITCHEN TIMER"**, screen will display 00:00, the first hour figure will commence flashing.
2. Press the number keys and enter the timer amount.
(the maximum cooking time is 99 minutes and 99 seconds)
3. Press **"START/+30SEC"** to confirm setting.
4. When the timer ends, the buzzer will ring 5 times.
If the clock is set as 12-hour system, screen will display the current time.

- Note:
- (1) The kitchen time is different from your 12-hour system, Kitchen Timer is a timer that counts down desired cooking time and notifies you when the time is up.
 - (2) During kitchen timer, no programs can be set.

MICROWAVE COOK

1. Press **"TIME COOK"** once, screen will display "00:00".
2. Press number keys to input the cooking time; the maximum cooking time is 99 minutes and 99 seconds.
3. Press **"POWER"** once, screen will display **"PL10"**. The default power is 100% power. Now you can press number keys to adjust the power level.
4. Press **"START/+30SEC"** to start cooking.

Example: to cook the food with 50% microwave power for 15 minutes.

- a. Press **"TIME COOK"** once."00:00" displays.
- b. Press "1","5","0","0" in order.
- c. Press **"POWER"** once, then press "5" to select 50% microwave power.
- d. Press **"START/+30SEC"** to start cooking.

- Note:
- (1) In the process of setting, if the **"STOP/CANCEL"** button is pressed or if there is no operation within 1 minute, the oven will go back to the former setting automatically.
 - (2) If "PLO" selected, the oven will work with fan for no power.

Continues next page-->

OPERATION (Cont.)

- (3) During Microwave Cooking **“POWER”** can be pressed to change the power you need. After pressing **“POWER”**, the current power flash for 3 seconds, now you can press number button to change the power. The oven will work with the selected power for the rest time.

SPEEDY COOKING

1. In waiting state, instant cooking at 100% power level can be started by select a cooking time from 1 to 6 minutes by pressing number pads 1 to 6. Press **“START/+30SEC”** to increase the cooking time; the maximum cooking time is 99 minutes and 99 seconds.
2. In waiting state, instant cooking at 100% power level with 30 seconds' cooking time can be started by pressing **“START/+30SEC”**. Each press on the same button will increase cooking time by 30 seconds. The maximum cooking time is 99 minutes and 99 seconds.
Note: During microwave cooking and time defrost, time can be added by pressing **“START/+30SEC”** button.

WEIGHT DEFROST FUNCTION

1. Press **“WEIGHT DEFROST”**, screen will display “dEF1”.
2. Press numerical buttons to input weight to be defrosted. Input the weight ranged between 100-2000g.
3. If the weight input is not within 100-2000 g, the input will be invalid.
4. Press **“ START/+30SEC”** to start defrosting and the cooking time remained will be displayed.

TIMED DEFROST FUNCTION

1. Press **“TIME DEFROST”**, screen will display “dEF2”.
2. Press number pads to input defrosting time. The effective time range is 00:01-99:99
3. The default microwave power is power level 3. If you want to change the power level, press **“POWER”** once, and the screen will display “PL 3”, then press the number pad of the power level you wanted.
4. Press **“START/+30SEC”** to start defrosting. The remained cooking time will be displayed.

OPERATION (Cont.)

POPCORN

1. Press **“POPCORN”** repeatedly until the number you wish appears in the display, “50”, “100”g will display in order.
For example, press **“POPCORN”** once, “50” appears.
2. Press **“START/+30 SEC”** to cook, buzzer sounds once. When cooking finish, buzzer sounds five times and then turn back to waiting state.

IMPORTANT INFORMATION

1. When selecting 100 g of popcorn, it is suggested that you fold down a triangle on each corner of the bag before cooking.
2. If/When the popcorn bag expands and no longer rotates properly, please press **STOP/CANCEL** button once and open the oven door and adjust the bag position to ensure even cooking.

POTATO

1. Press **“POTATO”** repeatedly until the number you wish appears in the display, “1”, “2”, “3” will display in order.
“1” SET : 1 potato (approximate 230 gram)
“2” SETS: 2 potatoes (approximate 460 gram)
“3” SETS: 3 potatoes (approximate 690 gram)
For example, press **“POTATO”** once, “1” appears.
2. Press **“START/+30 SEC”** to cook, buzzer sounds once. When cooking finish, buzzer sounds five times and then turn back to waiting state.

FROZEN VEGETABLE

1. Press **“FROZEN VEGETABLE”** repeatedly until the number you wish appears in the display, “150”, “350”, “500”g will display in order.
For example, press **“FROZEN VEGETABLE”** once, “150” appears.
2. Press **“START/+30 SEC”** to cook, buzzer sounds once. When cooking finish, buzzer sounds five times and then turn back to waiting state.

OPERATION (Cont.)

BEVERAGE

1. Press **“BEVERAGE”** repeatedly until the number you wish appears in the display, “1”, “2”, “3” cup will display in order. One cup is about 120ml. For example, press **“BEVERAGE”** once, “1” appears.
2. Press **“START/+30 SEC”** to cook, buzzer sounds once. When cooking finish, buzzer sounds five times and then turn back to waiting state.

DINNER PLATE

1. Press **“DINNER PLATE”** repeatedly until the number you wish appears in the display, “250”, “350”, “500” g will display in order. For example, press **“DINNER PLATE”** once, “250” appears.
2. Press **“START/+30 SEC”** to cook, buzzer sounds once. When cooking finish, buzzer sounds five times and then turn back to waiting state.

PIZZA

1. Press **“PIZZA”** repeatedly until the number you wish appears in the display, “100”, “200”, “400” g will display in order. For example, press **“PIZZA”** once, “100” appears.
2. Press **“START/+30 SEC”** to cook, buzzer sounds once. When cooking finish, buzzer sounds five times and then turn back to waiting state.

OPERATION (Cont.)

MEMORY FUNCTION

1. Press **"O/MEMORY"** to choose memory 1-3 procedure.
The Screen will display 1,2,3.
2. If the procedure has been set, press **"START/ +30 SEC"** to use it. If not, continue to set the procedure. Only one or two stages can be set.
3. After finishing the setting, press **"START/ +30 SEC"** once to save the procedure and turn back to the waiting states.
If press **"START/ +30 SEC"** again, it will start cooking.
Example: to set the following procedure as the second memory, that is memory 2 to cook the food with 80% microwave power for 3 minutes and 20 seconds.

The steps are as follow:

- a. In waiting states, press **"O/MEMORY"** twice, stop pressing until the screen displays "2".
- b. Press **"TIME COOK"** once, then press "3", "2", "0" in order.
- c. Press **"POWER"** once, "PL10" display, then press "8" and "PL8" displays.
- d. Press **"START/ +30 SEC."** to save the setting. Buzzer sounds once then turn back to waiting states.
If you press **"START/+30SEC"** twice after step c, the procedure will be memory 2 and operated.
- e. If the electricity is not cut off, the procedure will be saved all the time. If it is, the procedure need to reset.
- f. If you want to run the saved procedure, in waiting states, press **"O/MEMORY"** twice, screen displays "2", then press **"START/+30SEC"** to run.

OPERATION (Cont.)

MULTI-STAGE COOKING

At most 2 stages can be set for cooking. In multi-stage cooking, if one stage is defrosting, then defrosting shall be placed at the first stage automatically.

Note : Auto cooking cannot work in the multi-stage cooking.

Example: if you want to cook with 80% microwave power for 5 minutes + 60% microwave power for 10 minutes. The cooking steps are as following:

1. Press **“TIME COOK”** once, then press **“5,”“0,”“0”** to set the cooking time;
2. Press **“POWER”** once, then press **“8”** to select 80% microwave power.
3. Press **“TIME COOK”** once, then press **“1,”“0,”“0,”“0”** to set the cooking time;
4. Press **“POWER”** once, then press **“6”** to select 60% microwave power.
5. Press **“START/ +30 SEC”** to start cooking.

INQUIRING FUNCTION

1. In cooking state, press **“CLOCK”**, the screen will display clock for three seconds.
2. In the microwave cooking state, press **“POWER”** to inquire microwave power level, and the current microwave power will be displayed. After three seconds, the oven will turn back to the previous state.
In multi-stage state, the inquiring way can be done by the same way as above.

LOCK FUNCTION FOR CHILDREN

LOCK:

In waiting state, press **“STOP/CANCEL”** for 3 seconds, there will be a long “beep” denoting the entering into the children-lock state; meanwhile, screen will display **“ [_ _] ”**

UNLOCK:

In locked state, press **“STOP/CANCEL”** for 3 seconds, there will be a long “beep” denoting that lock is released.

Cleaning and Maintenance

1. Turn off the oven and remove the power plug from the wall socket before cleaning.
2. Keep the inside of the oven clean. When food splatters or spilled liquids adhere to oven walls, wipe with a damp cloth. Mild detergent may be used if the oven gets very dirty. Avoid the use of spray and other harsh cleaners as they may stain, streak or dull the door surface.
3. The outside surfaces should be cleaned with a damp cloth. To prevent damage to the operating parts inside the oven, water should not be allowed to seep into the ventilation openings.
4. Wipe the door and window on both side, the door seals and adjacent parts frequently with a damp cloth to remove any spills or splatters, Do not use abrasive cleaner.
5. Do not allow the control panel to become wet, clean with a soft damp cloth. When cleaning the control panel, leave the oven door open to prevent oven from accidentally turning on.
6. If steam accumulates inside or around the outside of the oven door, wipe with a soft cloth. This may occur when the microwave oven is operated under high humidity condition.
7. It is occasionally necessary to remove the glass tray for cleaning. Wash the tray in warm water.
8. The roller ring and oven floor should be cleaned regularly to avoid excessive noise. Simply wipe the bottom surface of the oven with mild detergent. The roller ring may be washed in mild sudsy water. When removing the roller ring from cavity floor for cleaning, be sure to replace in the proper position.
9. Remove odors from your oven by combining a cup of water with lemon in a deep microwaveable bowl, microwave for 5 minutes. Wipe thoroughly and dry with soft cloth.

Cleaning and Maintenance (Cont.)

10. When it becomes necessary to replace the oven light, please consult customer service on 1300 296 699 to have it replaced.
11. Failure to maintain the oven in a clean condition could lead to deterioration of the surface that could adversely affect the life of the appliance and possibly result in a hazardous situation.
12. Please do not dispose this appliance into the domestic rubbish bin; it should be disposed to the particular disposal centre.

FAQS

If experiencing issues with your oven and isn't operating correctly please check the following pages for solutions to the problems. If none of the solutions offered help solve the problem with your appliance then please contact our call centre on 1300 296 699.

DO NOT ATTEMPT TO REPAIR THE APPLIANCE YOURSELF.

Problem	Solution
Microwave Oven does not work.	<ul style="list-style-type: none">• Make sure that the microwave oven is securely plugged in. If not, please unplug for 10 seconds and plug it back in.• The Microwave oven door is not closed properly.
Using Microwave Oven is causing interference to my radio/TV.	<ul style="list-style-type: none">• Radio and TV reception may have interference when microwave is operating.<ul style="list-style-type: none">- Try moving the microwave to another location further away from the TV.- Plugging microwave into another power outlet.

SPECIFICATIONS

Model Number	SC-3000MV
Power Supply	240V ~
Rated Frequency	50Hz
Rated Input	1450W
Rated Output	900W
Dimensions	520 (w) x 430 (d) x 327 (h) mm
Weight	Net: 15.50 kg / Gross: 17 kg

SEIKI™

CUSTOMER HELPLINE:

info@ayonz.com

DISTRIBUTED BY:

Ayonz Pty Ltd